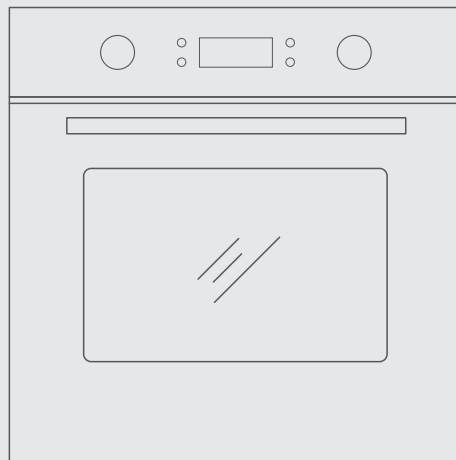


Corberó



BUILT-IN OVEN
Instruction Manual

CCHMP1033N
CCHMP1033W

Before using this product, please read this manual carefully and keep it for future reference.

DIRECTORY

SAFETY INFORMATION	SAFETY INFORMATION	1-3
INSTALLATION	Cabinet Diagram (Standing Cabinet)	4
	Cabinet Diagram (Ground Cabinet)	5
	Installation Important Instructions	6
	Installation steps	7
PRODUCT INTRODUCTION	Control Panel introduction	8
	Mode introduction	9
	First use	10
	Operation steps	10
ACCESSORY	Accessory included	13
	Accessory use	13
CLEANING MAINTENANCE	Cleaning	14
	Lamp Replacement	14
FAULT HANDLING	FAULT HANDLING	15
TECHNICAL PARAMETERS	TECHNICAL PARAMETERS	15
PRODUCT RECYCLING	PRODUCT RECYCLING	16

SAFETY INFORMATION

Thank you for choosing us! Please read all instructions before using this appliance. This book contains valuable information about operation, care and service. Keep it in a safe place for future reference. Should the appliance be sold or transferred to another owner, or should you move house and leave the appliance, always ensure that the book is supplied with appliance in order that new owner can be acquainted with the functioning of the appliance and relevant warnings.

THESE WARNINGS ARE PROVIDED IN THE INTEREST OF SAFETY. PLEASE READ THEM

CAREFULLY BEFORE INSTALLING OR USING THE APPLIANCE.

To maintain the EFFICIENCY and SAFETY of this appliance, we recommend:

- Call only the Service Centers authorized by store where you buy the cooker
 - Always use original Spare Parts
1. When the oven is first switched on, it may give off an unpleasant smell. This is due to the bonding agent used for the insulating panels within the oven. Please run the new empty product with the conventional cooking function, 250°C, 90 minutes to clean oil impurities inside the cavity.
 2. When you use it for the first time, there will be a pungent smell or smoke, which is normal. If it does happen, you should wait for the smell or smoke to disappear before putting food in the oven.
 3. Please use the product under an open environment.
 4. The appliance and its accessible parts become hot during use. Care should be taken to avoid touching heating elements. Children less than 8 years of age shall be kept away unless continuously supervised.
 5. If the surface is cracked, switch off the appliance to avoid the possibility of electric shock.
 6. This appliance can be used by children aged from 8 years and above and persons with reduced physical, sensory or mental capabilities or lack of experience and knowledge if they have been given supervision or instruction concerning use of the appliance in a safe way and understand the hazards involved. Children shall not play with the appliance. Cleaning and user maintenance shall not be made by children without supervision.

7. During use, the appliance becomes very hot. Care should be taken to avoid touching heating elements inside the oven.
8. Do not allow children to go near the oven when it is operating, especially when the grill is on.
9. Ensure that the appliance is switched off before replacing the oven lamp to avoid the possibility of electric shock.
10. The means for disconnection must be incorporated in the fixed wiring in accordance with the wiring specifications.
11. Children should be supervised to ensure that they do not play with the appliance.
12. This appliance is not intended for use by persons (including children) with reduced physical, sensory or mental capabilities, or lack of experience and knowledge, unless they have been given supervision or instruction concerning use of the appliance by person responsible for their safety.
13. Accessible parts may become hot during use. Young children should be kept away.
14. An all-pole disconnection means must be incorporated in the fixed wiring in accordance with the wiring rules.
15. If the supply cord is damaged, it must be replaced by the manufacturer, its service agent or similarly qualified persons in order to avoid a hazard.
16. Do not use harsh abrasive cleaners or sharp metal scrapers to clean the oven door glass since they can scratch the surface, which may result in shattering of the glass.
17. Only use the temperature probe recommended for this oven.
18. A steam cleaner is not to be used.
19. The appliance is not intended to be operated by means of an external timer or a separate remote control system.
20. The instructions for ovens that have shelves shall include details indicating the correct installations of the shelves.

21. Do not use the oven unless you are wearing something on your feet. Do not touch the oven with wet or damp hands or feet.
22. For oven: Oven door should not be opened often during the cooking period.
23. The appliance must be installed by an authorized technician and put into use. The producer is not responsible for any damage that might be caused by defective placement, and installation by unauthorized personnel.
24. When the door or drawer of oven is open do not leave anything on it, or you may unbalance your appliance or break the door.
25. Some parts of appliance may keep its heat for a long time; it is required to wait for it to cool down before touching onto the points that are exposed to the heat directly.
26. If you will not use the appliance for a long time, it is advised to plug it off.

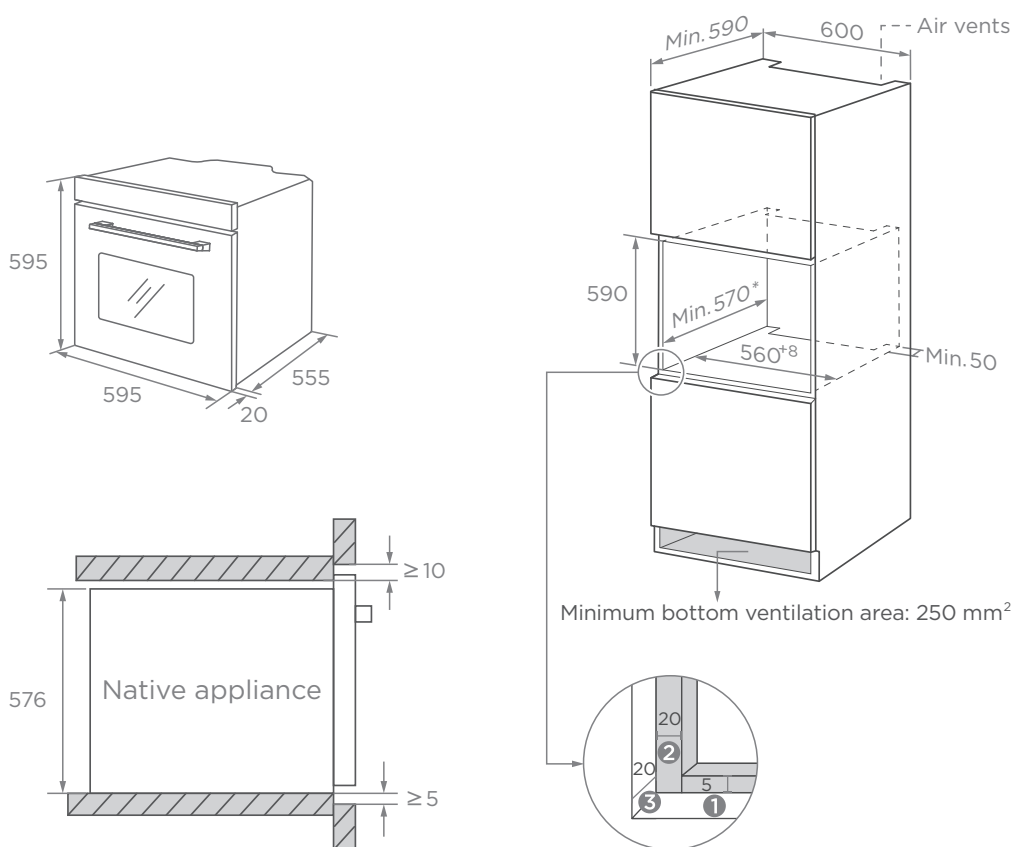
DECLARATION OF COMPLIANCE

When you have unpacked the oven, make sure that it has not been damaged in any way. If you have any doubts at all, do not use it: contact a professionally qualified person. Keep packing materials such as plastic bags, polystyrene, or nails out of the reach of children because these are dangerous to children.

INSTALLATION

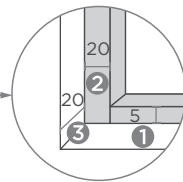
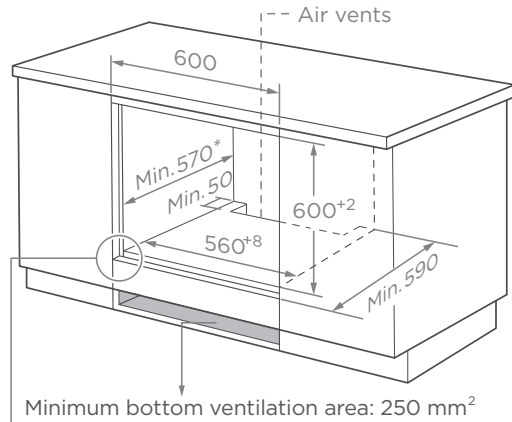
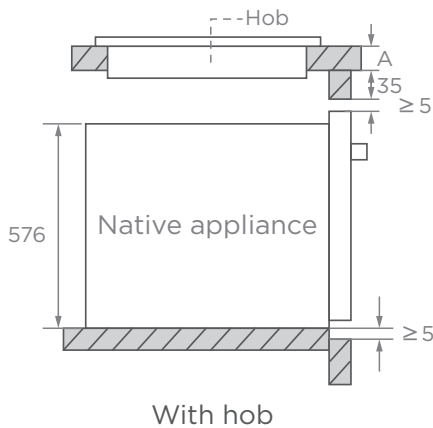
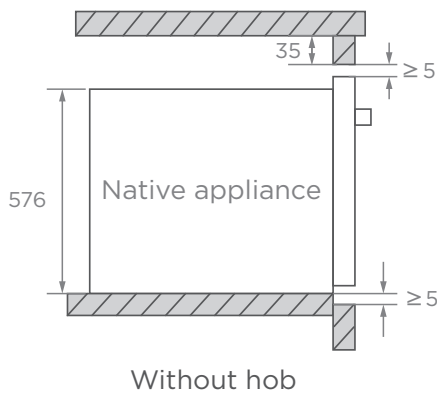
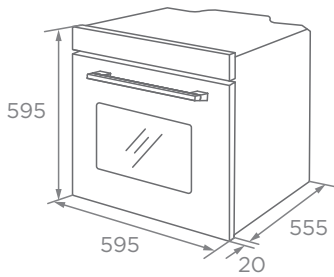
1. As the appliance is constantly upgrading, the actual appliance shall prevail if the picture is different from the actual appliance.
2. The thickness of the cabinet board is 20 mm.
3. If the power socket is installed on the back of the appliance, the depth of the cabinet opening shall be increased from a minimum of 590 mm to 620 mm.
4. The dimensions in the figures are in mm.

Cabinet Diagram (Standing Cabinet)



- 1 Reserve 5 mm for the door panel at the top and bottom respectively.
- 2 Reserve 20 mm for the door panel on the left and right respectively.
- 3 Reserve 20 mm for the door panel in thickness.

Cabinet Diagram (Ground Cabinet)



- ❶ Reserve 5 mm for the door panel at the top and bottom respectively.
- ❷ Reserve 20 mm for the door panel on the left and right respectively.
- ❸ Reserve 20 mm for the door panel in thickness.

If the appliance is installed under the hob, the minimum thickness of worktop A is shown below:

Hob type	worktop A
Induction hob	37 mm
Full-surface induction hob	47 mm
Gas hob	30 mm
Electric hob	27 mm

Installation Important Instructions

Content that means [mandatory]

1. The safe operation of this appliance can only be guaranteed if it has been installed to a professional standard in accordance with these installation instructions. The installer shall be liable for any damage resulting from incorrect installation.
2. The entire installation process requires two professional installers. Wear dry protective gloves during installation to avoid scratch or electric shock.
3. Fitted units must be heat-resistant up to 90°C, and adjacent unit fronts up to 70 °C.
4. Please use a 16A socket.

Content that means [prohibit]

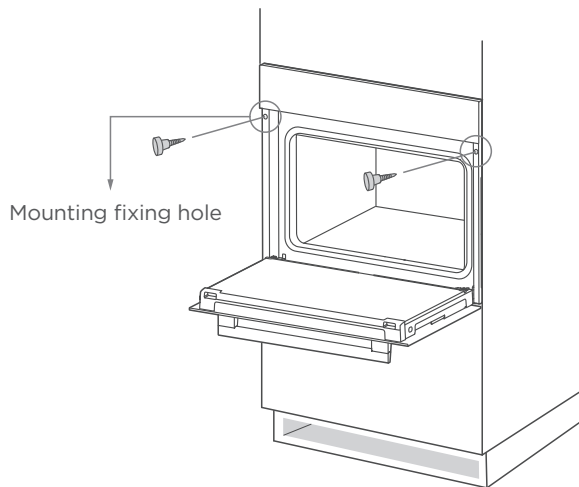
1. Do not install the appliance behind a decorative door or the door of a kitchen unit, as this may cause the appliance to overheat.
2. Check the appliance for damage after unpacking it. Do not connect the appliance if it has been damaged in transit.
3. Do not block the vent of the appliance and the gap between the cabinet and the appliance.
4. Use extreme caution when moving or installing the appliance. It is very heavy, do not lift the appliance by the door handle.
5. If the power cord or power plug is damaged, stop using the appliance immediately, to avoid fire, electric shock or other injuries.

Content that means [note]

1. Be very careful when moving or installing the appliance to avoid damage to the appliance or damage to the cabinets.
2. Before starting up the appliance, remove all packaging materials and accessories from the cavity.
3. The power socket shall be accessible to users (such as next to the cabinet) for easy power-off.
4. After installation is complete, make sure that the power plug is firmly inserted into the socket.
5. Please refer to the "Cabinet Diagram" for the requirements of net depth of the cabinet. The clearance between the cabinet bottom board and the rear board (or wall) shall not be less than 50 mm.

Installation steps

1. Please customize the cabinet according to the "Cabinet Diagram".
2. Before installation, please check for normal power socket and appropriate grounding, and check whether the cabinet dimension meets the installation requirements.
3. Place the appliance in designated locations in the kitchen, install it in a vertical cabinet, and connect the power supply.
4. To locate the mounting fixing holes, open the appliance door and look at the side frame of the appliance(position shown above).
5. Fix the appliance to the cabinet with two rubber plugs A and screws B provided with the appliance.

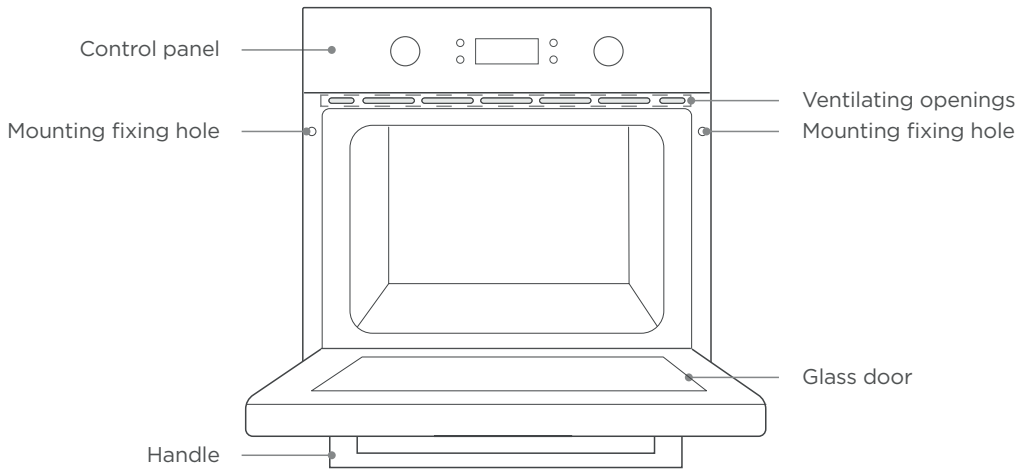


PRODUCT INTRODUCTION

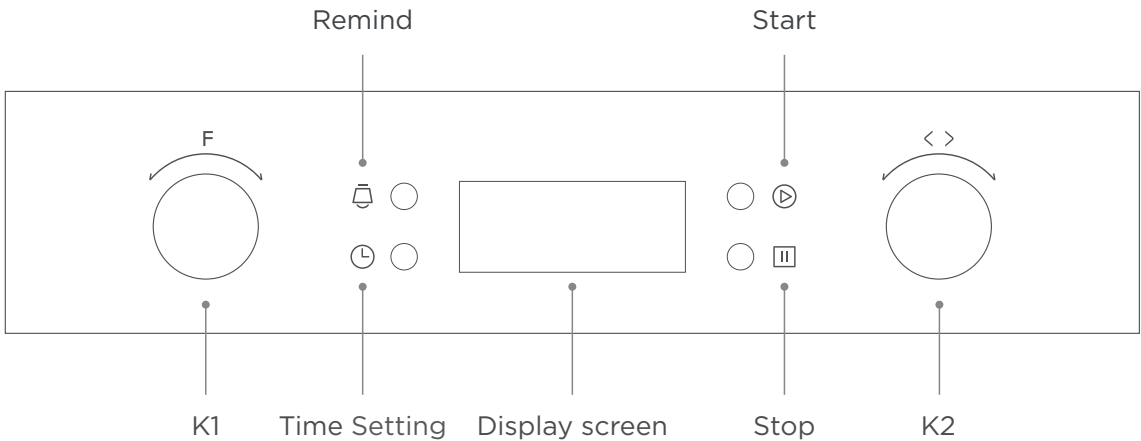
When removing food, please wear heat insulating gloves to prevent burns!

At the moment of opening the door of the furnace, pay attention to the steam. Please open the door at a small angle to avoid the steam on your face.








As the product is constantly upgraded, if there is any difference between the real object and the picture below, please refer to the real object.



Control Panel introduction




Mode introduction

Mode	Mode introduction
 Lamp	The cooking process can be observed under illuminated conditions. Except ECO and pyrolytic function.
 Defrost	The circulation of air at room temperature enables quicker thawing of frozen food (without the use of any heat).
 Double grill with fan	The radiant heating element and top heating element are working with fan.
 Single grill	The inner grill element switches on and off to maintain temperature. Can be used to grill a small number of food.
 Convention+fan	The combination of fan and bottom heating element provides a more uniform heat penetration. This function is suitable for baking large pieces of meat.
 Conventional	The top and bottom heating elements work together to provide convectional cooking.
Pyrolytic	When the function set to prolytic mode, LED display " PyR ". The default temperature is 450°C . The timer can be set 1:30 or 2:00 hours.
 ECO	For energy-saving cooking. Cooking the selected ingredients in a gentle manner, and the heat comes from the top and the bottom.

First use

Before using it for the first time, please clean the oven and accessories to a certain extent.

1. Remove the oven packaging shipping protection parts.
2. Remove all accessories (eg: baking trays, grills, foam, etc.) from the cavity.
3. Thoroughly clean the attachment with soapy water and a rag or soft brush.
4. Wipe cavity and oven surfaces with a soft damp cloth.
5. To avoid fire, please make sure that the cavity is free of any remaining packing materials and accessories when using it for the first time.
6. When using it for the first time, keep the kitchen highly ventilated (open the hood and windows). During this time, keep children and pets out of the kitchen and keep the doors of adjacent rooms closed.
7. When used for the first time, the anti-corrosion coating of the oven heating tube evaporates when heated, which will produce a pungent smell or smoke, which is a normal phenomenon. Please run the following mode:

Mode	Temperature	Time
 Conventional	250°C	0.5-1 Hour

Operation steps

Setting the clock

When the oven is first connected to the electrical supply and powered on, the clock will need to be set.

1. Press "⌚" key, the hour digit flashes.
2. Turn knob "K2" to adjust the hour digit.
3. Press "⌚" key, the minute digit flashes.
4. Turn knob "K2" to adjust the minute digit.
5. Press "⌚" key to complete the clock setting.

Notes:

1. The clock is a 24 hour clock.
2. Before using the oven, please complete the clock setting.
3. During the clock setting process, you can press "⏏" key to cancel the current clock setting.
4. If you need to reset the clock, please follow the "Setting the clock" steps in standby mode.

Function setting

1. In standby or reminder state, turn knob "K1" to select the function.
2. Turn knob "K2" to adjust the temperature.
3. Press the "▶" key to start cooking.
4. If you skip step 2, press the "▶" key to start cooking. The default time is 9 hours, and the display screen shows the default temperature.

Notes

1. During cooking, the time can be adjusted by turning the knob "K1". After adjusting the time, please press the "▶" key within 3 seconds to confirm.
2. During cooking, the temperature can be adjusted by turning the knob "K2". After adjusting the temperature, please press the "▶" key within 3 seconds to confirm.

Lamp function

Turning on the lamp can better observe the cooking situation of food. If you need to turn off or turn on the lamp, you can follow these steps:

1. Turn knob "k1" to select "☺".
2. Press the "▶" key to confirm.

Reminder function

This function will help to remind you to start cooking in a certain time. Only when oven in standby mode and clock setting, the reminder can be set.

1. Press the "🕒" key, and the hour digit flashes.
2. Turn knob "k2" to adjust the hour digit.
3. Press the "🕒" key, and the minute digit flashes.
4. Turn knob "K2" to adjust the minute digit.
5. Press the "▶" key to complete the setting, and the icon "🕒" is always on, and the countdown starts. After the countdown is completed, the buzzer sounds and the icon "🕒" goes out.

Notes

1. You can cancel the reminder by pressing the "⏏" key during setup.
2. After setting the reminder, you can press the "⏏" key twice to cancel the reminder.

Inquiring function

1. During cooking process, if the clock has been set, press the "🕒" key to check the current time; If the reminder function is set, press the "🕒" key to check the reminder time.
2. In reminder state, if the clock is set, press the "🕒" key to check the current time.

Start/Pause/Cancel function

1. If the cooking time has been set, press the "▶" key to start cooking. If the cooking is paused, press the "▶" key to continue cooking.
2. During cooking process, press the "⏸" key once to pause the cooking. Press the "⏸" key twice to cancel the cooking.

Energy-Saving function

1. In standby or reminder state, press the "▶" key for 3 seconds to turn off the LED display and enter the energy-saving mode.
2. In standby state, If there is no operation in 10 minutes, the LED display will go off and enters the energy-saving mode.
3. In the energy-saving mode, press any key or turn the knob to exit the energy-saving mode.

Child lock function

1. Enter the child lock: Press the "▶" and "⏸" keys for 3 seconds at the same time, the buzzer will beep, and the icon "🔒" will light up, indicating that the child lock is entered.
2. Release the child lock: Press the "▶" and "⏸" keys for 3 seconds at the same time, and the buzzer will beep, indicating that the child lock is released.

Pyrolytic function

This function allows you to clean thoroughly the oven cavity.

1. Turn knob "K1" to select the pyrolytic function. LED will display "PyR".
2. Press the "▶" key to confirm, and the default working time is 2 hours.
3. Turn knob "K1" to adjust the working time. The time can be set 1:30 or 2:00 hours.

Notes

1. When the oven door is not closed, pressing start button will be invalid, LED display "door", "PYR".
2. When the oven's center temperature is higher than 320°C, pressing start button will be invalid. The LED will display "COOL" and "PYR". When the oven's center temperature is lower than 200°C, press cancel button once, it will pause; press again, it will return to standby state. If higher than 200°C, press cancel button once, it will return to standby state directly.
3. Open the door when the oven is working, the LED will display "door" and the buzzer will sound continuously until the door was closed or press cancel button.
4. Before activating the pyrolytic cleaning function, remove any excessive spillage and make sure that oven is empty. Do not leave anything inside it (e.g. pans, baking tray, dripping pan, slider bracket etc.) as this could heavily damage them.
5. When finished pyrolytic cleaning, don't interrupt the power in an hour.

ACCESSORIES

As the products and accessories are constantly upgraded, if there is any difference between the real object and the picture below, please refer to the real object.

Your appliance is accompanied by a range of accessories. Here, you can find an overview of the accessories included and information on how to use them correctly.

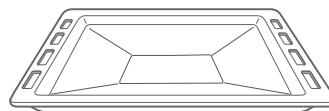
Accessories included

Your appliance is equipped with the following accessories:



Barbecue rack

Grill food or place heat-resistant cooking containers

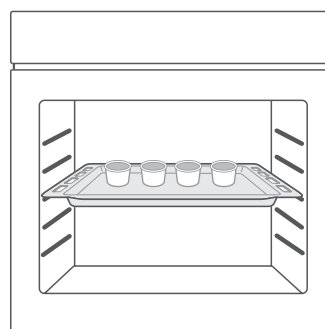
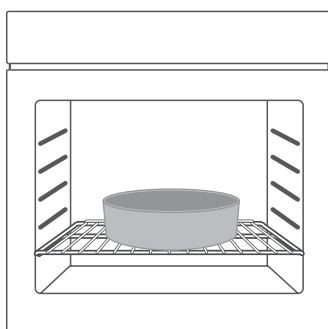
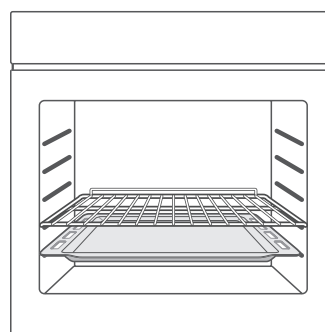
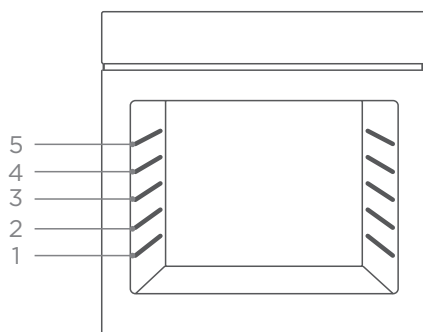


Baking Tray

Cook large portions of food or catch food scraps

Accessories use

For the oven to work properly, the grill rack and Baking Tray should only be placed between the first and fifth levels. When used together, place the Baking tray under the grill.



CLEAN AND MAINTENANCE

Cleaning

Disconnect the power supply before cleaning and maintenance.
In order to ensure the life of the oven, it should be thoroughly cleaned frequently.
Cleaning steps are as follows:

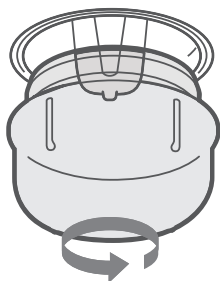
1. After cooking is complete, wait for the oven to cool down completely.
2. Remove oven accessories, rinse with warm water and dry.
3. Use a hot rag to clean food residue or grease from the oven.
4. Clean the oven surface with a soft cloth dampened with detergent and dry.

Notes

1. Do not use sharp cleaning tools, hard brush and corrosive cleaning products, so as not to damage the oven and its accessories.
2. Do not use rough scrubbing agent or sharp metal spatula to clean the door glass.

Lamp Replacement

1. Switch off and disconnect the power from the oven. Ensure that the internal parts are cool before touching internal parts.
2. Remove the lamp cover by turning it counter-clockwise (note, it may be stiff), replace the bulb with a new one of the same type.
3. Insert the new bulb, which should be resistant to 300°C. For replacement bulbs contact your local service centre.
4. Re-fit the cover.
5. If in any doubt, consult a qualified electrician for help.



WARNING:

To avoid electric shocks-please ensure that the electricity supply to the appliance is switched off and the appliance is fully cold. before removing the lamp lens.

FAULT HANDLING

If the problem cannot be solved or other problems occur, please contact the after-sales service.

The fault phenomenon	Possible causes	Processing method
After cooking, the machine still has the sound of working (the sound of the fan rotating).	Fan delay blowing, used for heat dissipation.	Under normal conditions, food can be taken out normally without treatment; Do not unplug the fan while it is in operation.
There is a sound in the oven cavity when the oven is working.	1. The sound of a cavity expanding by heat and contracting by cold. 2. The furnace cavity is not cleaned for a long time, which accumulates a lot of grease.	1. Belong to normal condition, need not deal with. 2. Wipe the heating tube and furnace cavity with a clean towel.
The first use has an unpleasant smell.	Heating tube with anticorrosive coating, heating after melting smell.	For the first use, please heat the cavity in a well-ventilated environment for half an hour.
The machine was smoking.	1. Product failure damage. 2. The furnace cavity has oil, food residue, etc., not cleaned in time.	1. Turn off the power and seek after service. 2. Wipe the heating tube and furnace cavity with a clean towel
The food is not cooked.	1. The heating time is too short. 2. Oversized portions of food.	1. Prolong the heating time appropriately. 2. Break the food into small pieces or cook it multiple times.
Furnace light not on.	The furnace lamp is broken.	Please seek after service.

TECHNICAL PARAMETERS

Model	CCHMP1033N/CCHMP1033W		
Usable Volume	70L	Rated voltage	220-240V-
EElectric, cavity (☐)	0.77 kW·h/cycle	Rated frequency	50Hz-60Hz
EElectric, cavity (⊗)	0.79 kW·h/cycle	EElectric power	3.2 kW
Energy efficiency class	A		

PRODUCT RECYCLING

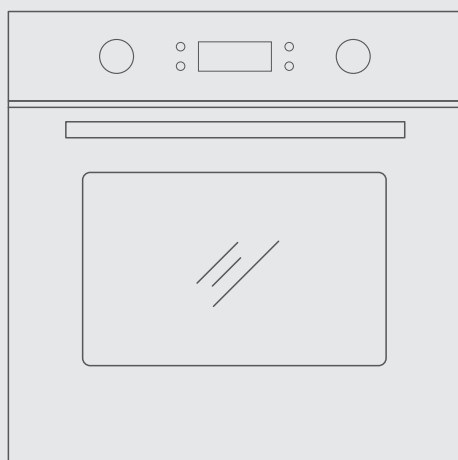
This symbol on the product or instruction manual indicates that your device should be disposed of separately from your household waste at the end of its useful life.

There is a separate recycling system locally for recycling. For more information, please contact the local authority or retailer where you purchased the product.



When you have unpacked the oven, make sure that it has not been damaged in any way. If you have any doubts at all, do not use it: contact a professionally qualified person. Keep packing materials such as plastic bags, polystyrene, or nails out of the reach of children because these are dangerous to children.

Corberó



FORNO DE ENCASTRAR

Manual de instruções

CCHMP1033N

CCHMP1033W

Deve ler este manual atentamente e guardar o mesmo para consulta futura.

DIRETÓRIO

INFORMAÇÕES RELATIVAS À SEGURANÇA	INFORMAÇÕES RELATIVAS À SEGURANÇA	1-4
INSTALAÇÃO	Esquema do armário (Armário encastrado)	5
	Esquema do armário (Móvel)	6
	Instruções importantes de instalação	7
	Passos para a instalação	8
APRESENTAÇÃO DO PRODUTO	Apresentação do painel de controlo	9
	Apresentação do modo	10
	Primeira utilização	11
	Passos do funcionamento	11
ACESSÓRIOS	Acessórios incluídos	14
	Uso dos acessórios	14
LIMPEZA E MANUTENÇÃO	Método de limpeza	15
	Substituição da lâmpada	15
RESOLUÇÃO DE PROBLEMAS	RESOLUÇÃO DE PROBLEMAS	16
PARÂMETROS TÉCNICOS	PARÂMETROS TÉCNICOS	16
RECICLAGEM DO PRODUTO	RECICLAGEM DO PRODUTO	17

INFORMAÇÕES RELATIVAS À SEGURANÇA

Obrigado por nos ter escolhido! Deve ler todas as instruções antes de usar o aparelho. Este manual inclui informação valiosa sobre o funcionamento, cuidados e reparação. Deve guardar o mesmo num local seguro para consulta futura. SE o aparelho for vendido ou transferido para outro proprietário ou se mudar de casa e deixar o aparelho, deve assegurar sempre que o manual é fornecido com o aparelho de modo a que o novo proprietário possa familiarizar-se com o funcionamento do aparelho e com as advertências respetivas.

ESTAS ADVERTÊNCIAS SÃO FORNECIDAS NO INTERESSE DA SEGURANÇA. DEVE LER AS MESMAS ATENTAMENTE ANTES DA INSTALAÇÃO OU DA UTILIZAÇÃO DO APARELHO.

Para manter a EFICIÊNCIA e a SEGURANÇA deste aparelho, recomendamos que:

- Contactar apenas os Centros de Assistência autorizados junto da loja onde comprou o fogão.
 - Usar sempre peças de substituição originais.
1. Quando o forno é ligado pela primeira vez, pode emitir um odor desagradável. Isto deve-se ao agente adesivo utilizado para os painéis isolantes no interior do forno. Ligar o novo produto vazio com a função de cozedura convencional, 250°C, 90 minutos para limpar as impurezas de óleo no interior da cavidade.
 2. Quando utilizar o aparelho pela primeira vez, haverá um odor acre ou fumo, o que é normal. Se isso acontecer, deve aguardar que o cheiro ou o fumo desapareçam antes de colocar os alimentos no forno.
 3. O aparelho deve ser usado numa espaço aberto.
 4. O aparelho e as respetivas partes acessíveis aquecem durante a utilização. Deve ter cuidado para evitar tocar nos elementos de aquecimento. As crianças com menos de 8 anos devem ser mantidas afastadas a menos que tenham uma supervisão contínua.
 5. Se a superfície apresentar fissuras, desligar o aparelho para evitar a possibilidade de choque elétrico.

6. Este equipamento pode ser usado por crianças a partir de 8 anos e mais e por pessoas com capacidades físicas, sensoriais ou mentais reduzidas ou com falta de experiência e conhecimento se lhes tiver sido dada a supervisão ou instrução relativamente ao uso do equipamento de uma forma segura e entender os riscos envolvidos. As crianças não devem brincar com o aparelho. A limpeza e a manutenção por parte do utilizador não devem ser realizadas por crianças sem supervisão.
7. Durante a utilização, o aparelho fica muito quente. Ter cuidado para evitar tocar nos elementos de aquecimento dentro do forno.
8. Não permitir que as crianças se aproximem do forno quando este estiver a funcionar, especialmente quando o grelhador estiver ligado.
9. Assegurar que o aparelho é desligado antes de substituir a lâmpada do forno, para evitar a possibilidade de choque elétrico.
10. Os meios para desligar devem ser incorporados na cablagem fixa, de acordo com as especificações da cablagem.
11. As crianças devem ser supervisionadas e impedidas de utilizar o aparelho como brinquedo.
12. Este aparelho não foi concebido para ser utilizado por pessoas (incluindo crianças) com capacidades físicas, sensoriais ou mentais reduzidas, ou com falta de experiência e conhecimentos, exceto se receberam supervisão ou instruções sobre a utilização do aparelho por uma pessoa responsável pela sua segurança.
13. As peças acessíveis podem ficar quentes durante a utilização. Manter as crianças afastadas.
14. Deve ser incorporado na cablagem fixa um meio para desligar todos os polos, de acordo com as regras de cablagem.

15. Se o cabo de alimentação estiver danificado, deve ser substituído pelo fabricante ou pelo respetivo agente de assistência ou uma pessoa similarmente qualificada para evitar riscos.
16. Não utilizar produtos de limpeza abrasivos nem raspadores de metal afiados para limpar o vidro da porta do forno, pois podem riscar a superfície, o que pode provocar estilhaçamento do vidro.
17. Utilize apenas a sonda de temperatura recomendada para este forno.
18. Não usar equipamento de limpeza a vapor.
19. O aparelho não se destina a ser operado através de um temporizador externo ou um sistema de controlo remoto separado.
20. As instruções para fornos que disponham de prateleiras devem incluir pormenores que indiquem as instalações corretas das prateleiras.
21. Não utilizar o forno se estiver descalço. Não tocar no forno com as mãos ou pés molhados ou húmidos.
22. Relativamente ao forno: A porta do forno não deve ser aberta frequentemente durante o período da cozedura.
23. O aparelho deve ser instalado e colocado em funcionamento por um técnico autorizado. O produtor não é responsável por quaisquer danos que possam ser provocados por colocação defeituosa e instalação por pessoal não autorizado.
24. Quando a porta ou gaveta do forno estiver aberta não deixar nada sobre a mesma, pode desequilibrar o seu aparelho ou partir a porta.
25. Algumas partes do aparelho podem manter o seu calor durante muito tempo; é necessário esperar que arrefeça antes de tocar nos pontos que estão expostos diretamente ao calor.
26. Se não utilizar o aparelho durante muito tempo, é aconselhável desligá-lo.

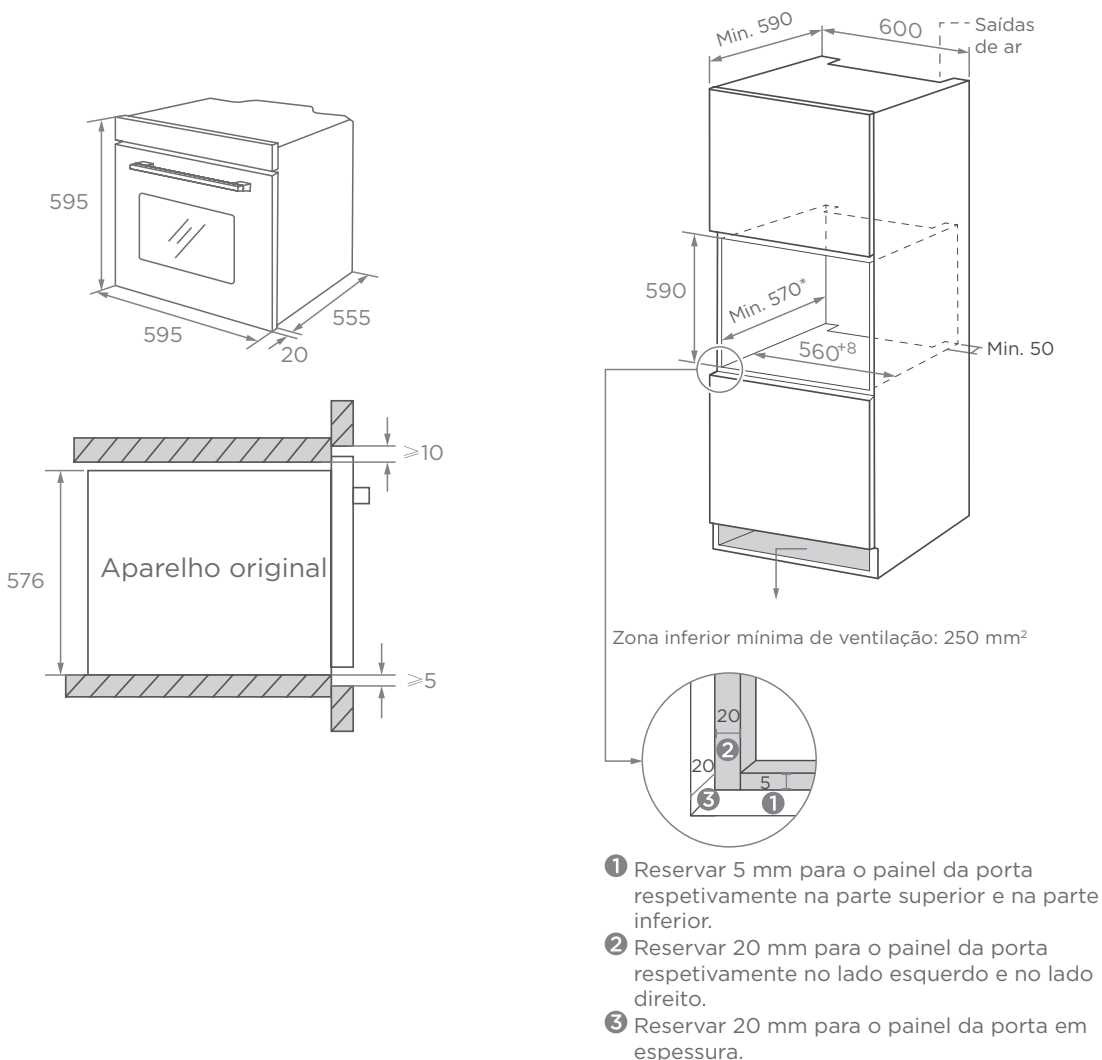
DECLARAÇÃO DE CONFORMIDADE

Quando tiver desembalado o forno, assegurar que este não tenha sido danificado de nenhuma forma. Se tiver alguma dúvida, não utilizar o forno: contactar um técnico profissionalmente qualificado. Manter os materiais da embalagem como sacos de plástico, poliestireno ou pregos fora do alcance de crianças, porque estes materiais são perigosos para as mesmas.

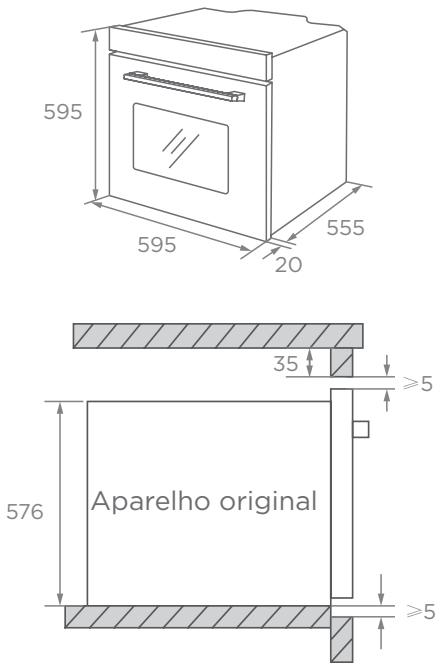
INSTALAÇÃO

1. Dado que o aparelho está a ser constantemente atualizado, o aparelho atual prevalece no caso de a imagem ser diferente do mesmo.
2. A espessura da placa do armário é de 20 mm.
3. Se a tomada de alimentação for instalada na parte de trás do aparelho. A profundidade da abertura do armário deve ser aumentada de um mínimo de 590 mm para 620 mm.
4. As dimensões nas figuras são em mm.

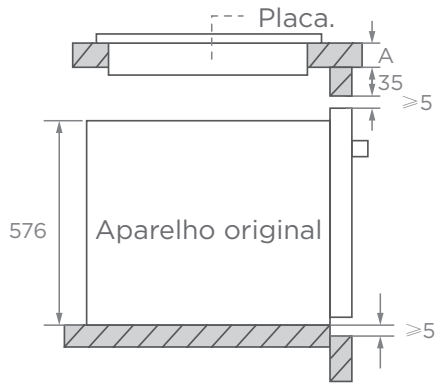
Esquema do armário (Armário encastrado)



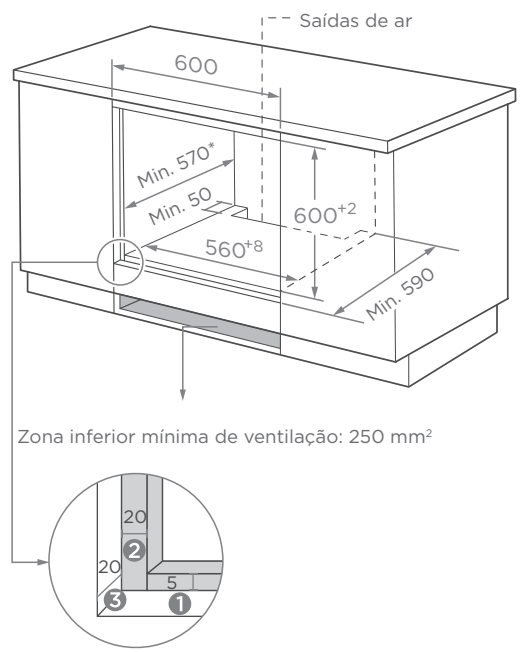
Esquema do armário (Móvel)



Sem placa



Com placa



Zona inferior mínima de ventilação: 250 mm²

- ❶ Reservar 5 mm para o painel da porta respetivamente na parte superior e na parte inferior.
- ❷ Reservar 20 mm para o painel da porta respetivamente no lado esquerdo e no lado direito.
- ❸ Reservar 20 mm para o painel da porta em espessura.

Se o aparelho for instalado por baixo da placa, a espessura mínima da bancada A é mostrada abaixo:

Tipo de placa	bancada A
Placa de indução	37 mm
Placa de indução de superfície integral	47 mm
Placa a gás	30 mm
Placa elétrica	27 mm

Instruções importantes de instalação

Conteúdo que é importante [obrigatório]

1. O funcionamento seguro deste aparelho pode apenas ser garantido se o mesmo tiver sido instalado a um nível profissional em conformidade com estas instruções de instalação. O instalador deve ser responsável por quaisquer danos resultantes de uma instalação incorreta.
2. Todo o processo de instalação exige dois instaladores profissionais. Deve usar luvas de proteção durante a instalação para evitar arranhões ou choques elétricos.
3. Os armários instalados devem ser resistentes ao calor até 90 °C e as frentes dos armários adjacentes devem ser resistentes até 70 °C.
4. Usar uma tomada de 16A.

Conteúdo que é importante [proibido]

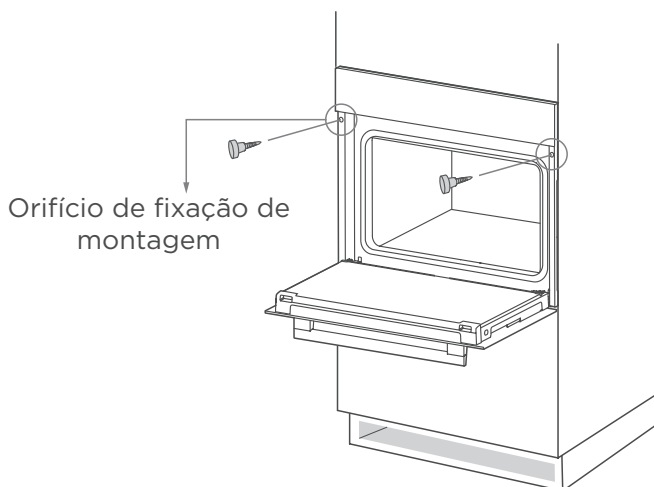
1. Não instalar o aparelho por trás de uma porta decorativa ou da porta de um móvel de cozinha, dado isso poder provocar um sobreaquecimento do aparelho.
2. Verificar o aparelho em relação a danos depois de o desembalar. Não ligar o aparelho se tiver sido danificado durante o transporte.
3. Não bloquear as saídas de ar do aparelho e a folga entre o armário e o aparelho.
4. Deve ser tido o maior cuidado quando mover ou instalar o aparelho. É muito pesado, não inclinar o aparelho segurando na pega da porta.
5. Se o cabo de alimentação ou a ficha de alimentação estiver danificada, deve parar de o utilizar imediatamente para evitar um incêndio, choque elétrico ou outras lesões.

Conteúdo que é importante [nota]

1. Deve ser tido cuidado quando se deslocar o aparelho para evitar danos no aparelho ou danos nos armários.
2. Antes de colocar o aparelho em funcionamento, deve remover da cavidade todos os materiais de embalagem e os acessórios.
3. A tomada de alimentação deve estar acessível para os utilizadores (tal como junto do armário) para um desligamento fácil.
4. Após a instalação estar concluída, assegurar que a ficha de alimentação está firmemente inserida na tomada.
5. Consultar o “Esquema do Armário” para os requisitos em relação à profundidade real do mesmo. A folga entre a parte inferior do armário e a placa traseira (ou parede) não deve ser inferior a 50 mm.

Passos para a instalação

1. Configurar o armário de acordo com o “Esquema do Armário”.
2. Antes da instalação verificar a tomada relativamente a uma tensão normal e se tem ligação à terra e verificar se a dimensão do armário está de acordo com os requisitos da instalação.
3. Colocar o aparelho em localizações designadas na cozinha, instalar o mesmo num armário vertical e ligar a fonte de alimentação.
4. Para localizar os orifícios de fixação da montagem, abrir a porta do aparelho e observar a estrutura lateral do aparelho (posição mostrada acima).
5. Fixar o aparelho ao armário com dois bujões de borracha A e com os parafusos B fornecidos com o aparelho.

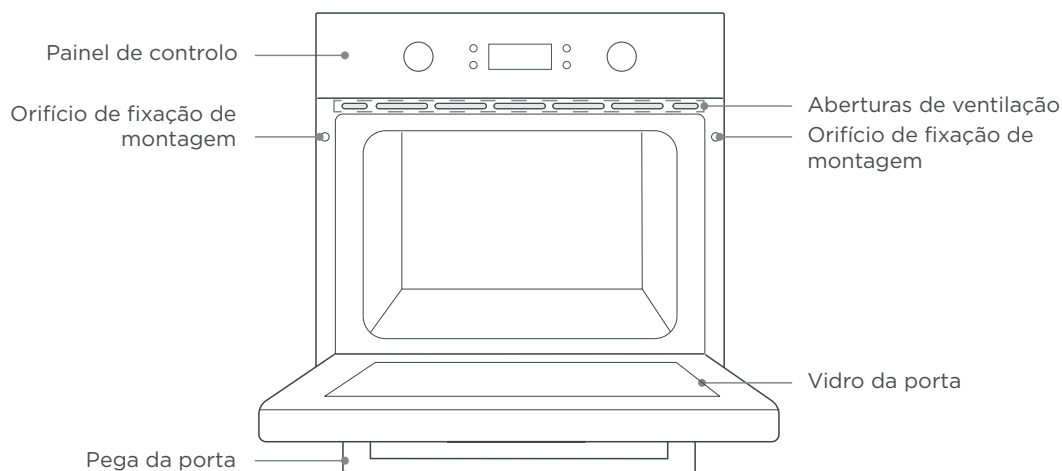


APRESENTAÇÃO DO PRODUTO

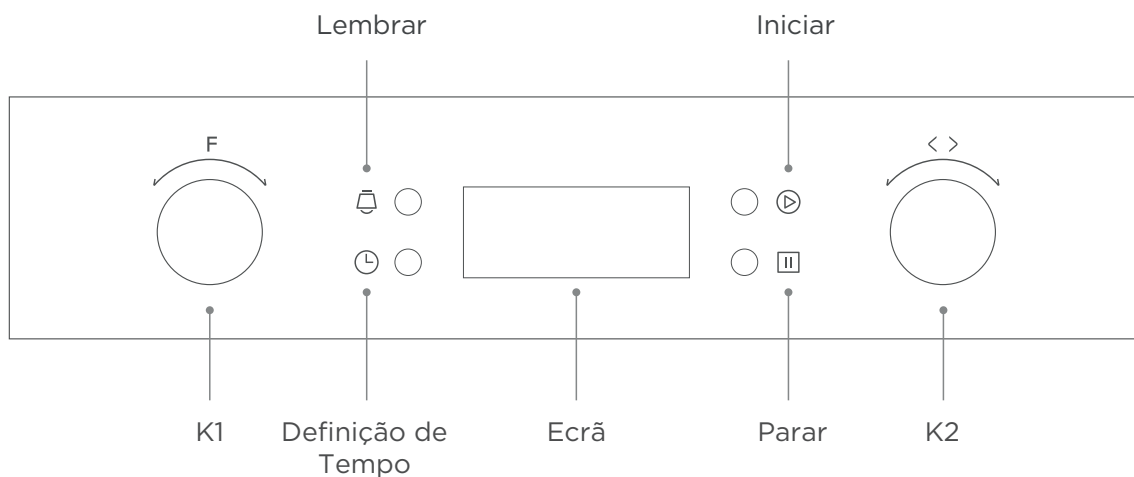
Quando remover os alimentos, deve usar luvas com isolamento de calor para impedir queimaduras!

No momento de abrir a porta do forno, deve prestar atenção ao vapor. Abrir a porta com um ângulo pequeno para evitar que o vapor atinja o seu rosto.








Como o produto está a ser constantemente atualizado, se existir alguma diferença entre o objeto real e a imagem abaixo, consultar o objeto real.



Apresentação do painel de controlo




Apresentação do modo

Modo	Apresentação do modo
 Lâmpada	O processo de cozedura pode ser observado em condições iluminadas. Exceto na função ECO.
 Descongelamento	A circulação do ar à temperatura ambiente permite descongelamento mais rápido da comida congelada (sem a utilização de qualquer aquecimento).
 Grelhar duplo com ventoinha	O elemento de aquecimento radiante e superior funcionam com a ventoinha.
 Grelha única	O elemento de grelha interior liga e desliga para manter a temperatura. Pode ser utilizado para grelhar um pequeno número de alimentos.
 Convencional+v entoinha	A combinação da ventoinha e dos elementos de aquecimento superior e inferior proporciona uma penetração do calor e coloração mais uniforme, principalmente para cozinhar carne.
 Convencional	Os elementos de aquecimento superior e inferior funcionam ao mesmo tempo para fornecer cozimento convencional.
Pirolítico	Quando a função é definida para o modo pirolítico, o LED exibe " PyR ". A temperatura por defeito é 450°C . O temporizador pode ser definido para 1:30 ou 2:00 horas.
 ECO	Para cozinhar a poupar energia. Cozinhar os ingredientes seleccionados de forma cuidada e o calor vem de cima e de baixo.

Primeira utilização

Antes de o utilizar pela primeira vez, limpar o forno e os acessórios.

1. Remover as peças de proteção de transporte da embalagem do forno.
2. Remover todos os acessórios da cavidade (por ex. tabuleiros de cozedura, grelhadores, espuma, etc.).
3. Limpar em profundidade a fixação com água com detergente e um pano ou uma escova macia.
4. Limpar a cavidade e as superfícies do forno com um pano macio humedecido.
5. Para evitar algum incêndio, assegurar que na cavidade não há quaisquer resíduos do material da embalagem: e dos acessórios quando for utilizar o forno pela primeira vez.
6. Quando o usar pela primeira vez, manter a cozinha bem ventilada (ligar o exaustor e abrir as janelas). Durante este tempo, manter as crianças e os animais fora da cozinha e manter as portas e as divisões adjacentes fechadas.
7. Quando usado pela primeira vez, o revestimento anti-corrosão do tubo de aquecimento do forno evapora quando aquecido, o que dará origem a fumo ou cheiro, o que é um fenómeno normal. Deve executar o modo seguinte:

Modo	Temperatura	Tempo
 Conventional	250 °C	0,5-1 hora

Passos do funcionamento

Definição do relógio

Quando o forno é ligado à alimentação elétrica e ligado pela primeira vez, o relógio precisa de ser definido.

1. Pressione a tecla "⌚" e o dígito da hora pisca.
2. Rode o botão "K2" para ajustar o dígito da hora.
3. Pressione a tecla "⌚" e o dígito dos minutos pisca.
4. Gire o botão "K2" para ajustar o dígito dos minutos.
5. Pressione a tecla "⌚" para concluir a definição do relógio.

Notas:

1. O relógio é de 24 horas.
2. Antes de utilizar o forno, complete a definição do relógio.
3. Durante o processo de definição do relógio, pode pressionar a tecla "⏏" para cancelar a definição do relógio atual.
4. Se precisar de reiniciar o relógio, siga os passos de "Definição do relógio" em modo de suspensão.

Definição da função

1. No estado de suspensão ou lembrete, rode o botão "K1" para selecionar a função.
2. Rode o botão "K2" para ajustar a temperatura.
3. Pressione a tecla "▶" para iniciar a cozedura.
4. Se ignorar o passo 2, pressione a tecla "▶" para iniciar a cozedura. O tempo predefinido é de 9 horas e o ecrã mostra a temperatura predefinida.

Notas

1. Durante a cozedura, o tempo pode ser ajustado rodando o botão "K1". Após ajustar o tempo, pressione a tecla "▶" dentro de 3 segundos para confirmar.
2. Durante a cozedura, a temperatura pode ser ajustada rodando o botão "K2". Após ajustar a temperatura, pressione a tecla "▶" dentro de 3 segundos para confirmar.

Função da lâmpada

Ligar a lâmpada pode ajudar a observar melhor a situação de cozedura dos alimentos. Se precisar de desligar ou ligar a lâmpada, pode seguir estes passos:

1. Gire o botão "k1" para selecionar "💡".
2. Pressione a tecla "▶" para confirmar.

Função de lembrete

Esta função ajuda a lembrar para começar a cozinhar a uma certa hora. O lembrete só pode ser definido quando o forno estiver no modo de suspensão e de definição do relógio.

1. Pressione a tecla "🕒" e o dígito da hora pisca.
2. Rode o botão "k2" para ajustar o dígito da hora.
3. Pressione a tecla "🕒" e o dígito dos minutos pisca.
4. Gire o botão "K2" para ajustar o dígito dos minutos.
5. Pressione a tecla "▶" para concluir a definição e o ícone "🕒" está sempre aceso e a contagem decrescente começa. Quando a contagem decrescente terminar, a campainha soa e o ícone "🕒" desliga-se.

Notas

1. Pode cancelar o lembrete pressionando a tecla "⏏" durante a configuração.
2. Após definir o lembrete, pode pressionar a tecla "⏏" duas vezes para cancelar o lembrete.

Função de verificação

1. Durante o processo de cozedura, se o relógio tiver sido definido, pressione a tecla "🕒" para verificar a hora atual; se a função de lembrete estiver definida, pressione a tecla "🕒" para verificar a hora do lembrete.
2. No estado de lembrete, se o relógio foi definido, pressione a tecla "🕒" para verificar a hora atual.

Iniciar/Pausar/Cancelar função

1. Se o tempo de cozimento tiver sido definido, pressione "▶" para começar a cozinhar. Se o cozimento estiver pausado, pressione a tecla "▶" para continuar a cozinhar.
2. Durante o processo de cozimento, pressione a tecla "⏸" uma vez para pausar a cozedura. Pressione a tecla "⏸" duas vezes para cancelar.

Função de poupança de energia

1. No estado de suspensão ou lembrete, pressione a tecla "▶" por 3 segundos para desligar o ecrã LED e entrar no modo de poupança de energia.
2. Em estado de suspensão, se não houver nenhuma operação em 10 minutos, o ecrã LED irá desligar e entra no modo de poupança de energia.
3. No modo de poupança de energia, pressione qualquer tecla ou rode o botão para sair do modo de poupança de energia.

Função de bloqueio de crianças

1. Entrar no bloqueio de crianças: Pressione as teclas "▶" e "⏸" por 3 segundos ao mesmo tempo, a campainha soa e o ícone "🔒" acende-se, indicando que entrou no bloqueio de crianças.
2. Libertar o bloqueio de crianças: Pressione as teclas "▶" e "⏸" por 3 segundos ao mesmo tempo, a campainha soa, indicando que o bloqueio de crianças foi liberto.

Função pirolítica

Esta função permite a limpeza completa da cavidade do forno.

1. Rode o botão "K1" para selecionar a função pirolítica. O LED exibe "PyR".
2. Pressione a tecla "▶" para confirmar e o tempo de funcionamento por defeito é de 2 horas.
3. Rode o botão "K1" para ajustar o tempo de funcionamento. O tempo pode ser definido para 1:30 ou 2:00 horas.

Notas

1. Quando a porta do forno não está fechada, pressionar o botão start será inválido e o LED exibe "door", "PYR".
2. Quando a temperatura central do forno estiver mais alta do que 320°C, pressionar o botão start será inválido. O LED exibe "COOL" e "PYR". Quando a temperatura central do forno for inferior a 200°C, pressione uma vez o botão de cancelar e irá pausar; pressione novamente e irá regressar ao estado de suspensão. Se mais alto que 200°C, pressione o botão de cancelar uma vez e irá regressar ao estado de suspensão diretamente.
3. Abra a porta quando o forne estiver em funcionamento, o LED exibe "door" e a campainha soa continuamente até a porta ser fechada ou pressionar o botão de cancelar.
4. Antes de ativar a função de limpeza pirolítica, remova qualquer derramamento excessivo e certifique-se que o forno está vazio. Não deixe nada dentro (por ex., panelas, tabuleiro de cozer, bandeja de pingar, suporte deslizante, etc.), pois isto poderá danificá-los.
5. Quando terminar a limpeza pirolítica, não interrompa a energia durante uma hora.

ACESSÓRIOS

Como o produto e os acessórios estão a ser constantemente atualizados, se existir alguma diferença entre o objeto real e a imagem abaixo, consultar o objeto real.

O seu aparelho é acompanhado por uma variedade de acessórios. Aqui, pode encontrar uma visão geral dos acessórios incluídos e a informação de como os utilizar corretamente.

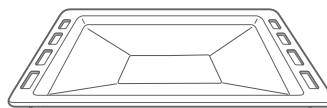
Acessórios incluídos

O seu aparelho está equipado com os seguintes acessórios:



Prateleira para churrasco

Grelhar os alimentos ou colocar recipientes de cozedura resistentes ao calor

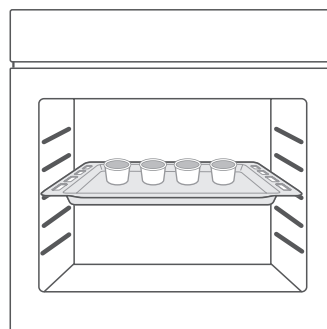
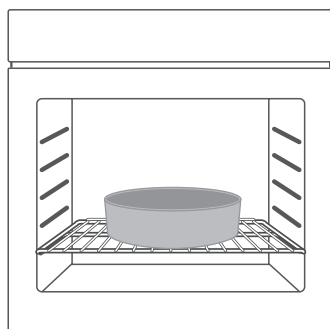
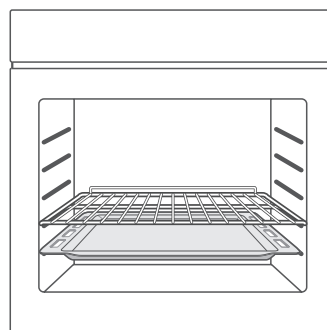
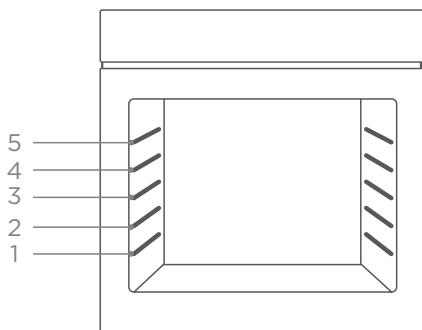


Tabuleiro de cozedura

Cozinhar grandes porções de alimentos ou para aparar restos dos alimentos.

Uso dos acessórios

Para que o forno funcione corretamente, a prateleira do grelhador e o tabuleiro de cozedura devem somente ser colocados entre o primeiro e o quinto níveis. Quando usado ao mesmo tempo, colocar o tabuleiro de cozedura por baixo do grelhador.



LIMPEZA E MANUTENÇÃO

Desligar a fonte de alimentação antes da limpeza e da manutenção.

De modo a assegurar a durabilidade do aparelho, o mesmo deve ser totalmente limpo frequentemente.

Método de limpeza

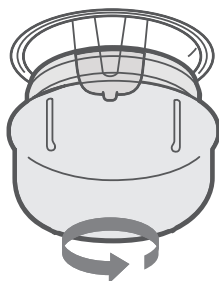
1. Depois de a cozedura estar concluída aguardar que o forno arrefeça totalmente.
2. Remover os acessórios do forno, enxaguar com água quente e secar.
3. Usar um pano quente para limpar os resíduos dos alimentos ou a gordura existentes no forno.
4. Limpar a superfície do forno com um pano macio humedecido com detergente e secar.

Notas

1. Não utilize ferramentas de limpeza afiadas, escova dura e produtos de limpeza corrosivos, de modo a não danificar o forno e os seus acessórios.
2. Não utilize palha de aço ou espátula metálica afiada para limpar o vidro da porta.

Substituição da lâmpada

1. Apagar e desligar a alimentação do forno. Assegurar que as partes interiores estão frias antes de tocar nas mesmas.
2. Remover a tampa da lâmpada rodando-a no sentido anti-horário (ter em atenção que pode estar presa), substituir a lâmpada por outra nova do mesmo tipo.
3. Inserir a nova lâmpada, a qual deve ser resistente a 300 °C. Para lâmpadas de substituição deve contactar um centro de assistência local.
4. Voltar a colocar a tampa.
5. Se existir alguma dúvida, deve consultar um electricista qualificado a fim de obter ajuda.



AVISO:



Para evitar choques elétricos assegurar que a alimentação elétrica ao aparelho está desligada e que o aparelho está totalmente frio antes de remover a lâmpada.

RESOLUÇÃO DE PROBLEMAS

Se o problema não puder ser resolvido ou ocorrerem outros problemas, deve contactar o serviço pós-venda.

O fenómeno do problema	Causa possível	Método de processamento
Depois da cozedura, o aparelho continua fazer o mesmo som de quando está em funcionamento (o som de um ventilador em funcionamento).	Ventilação deferida usada para a dissipação do calor.	Em condições normais, os alimentos podem ser retirados normalmente sem qualquer tratamento especial. Não desligar o ventilador enquanto o mesmo estiver em funcionamento.
Há um som na cavidade do forno quando o forno está em funcionamento.	<ol style="list-style-type: none"> O som de uma cavidade a expandir-se com o calor e a contrair-se com o frio. A cavidade do forno não é limpa há muito tempo, daí acumular muita gordura. 	<ol style="list-style-type: none"> Sendo uma situação normal, não é necessária qualquer ação. Limpar o tubo de aquecimento e a cavidade do forno com uma toalha limpa.
A primeira utilização tem um cheiro desagradável.	O tubo de aquecimento com revestimento anti-corrosivo, aquece e depois produz o cheiro do revestimento a derreter.	Durante a primeira utilização, deve aquecer a cavidade num ambiente bem ventilado durante meia hora.
O aparelho está a deitar fumo.	<ol style="list-style-type: none"> Danos devido a avaria do aparelho. A cavidade do forno tem óleo, resíduos de alimentos, etc, não foi limpo em devido tempo. 	<ol style="list-style-type: none"> Desligar a alimentação e contactar o serviço de assistência. Limpar o tubo de aquecimento e a cavidade do forno com uma toalha limpa.
Os alimentos não estão cozinhados.	<ol style="list-style-type: none"> O tempo de aquecimento é demasiado curto. Porções demasiado grandes dos alimentos. 	<ol style="list-style-type: none"> Prolongar adequadamente o tempo de aquecimento. Cortar os alimentos em pedaços pequenos ou cozinhar os mesmo por diversas vezes.
A iluminação do forno não acende.	A lâmpada do forno está partida.	Contactar o serviço de assistência.

PARÂMETROS TÉCNICOS

Modelo	CCHMP1033N/CCHMP1033W		
Volume utilizável	70L	Tensão estipulada	220-240V-
ECElectric, cavidade 	0.77 kW·h/ciclo	Frequência estipulada	50Hz-60Hz
ECElectric, cavidade 	0.79 kW·h/ciclo	Alimentação ECElectric	3.2 kW
Classe de eficiência energética	A		

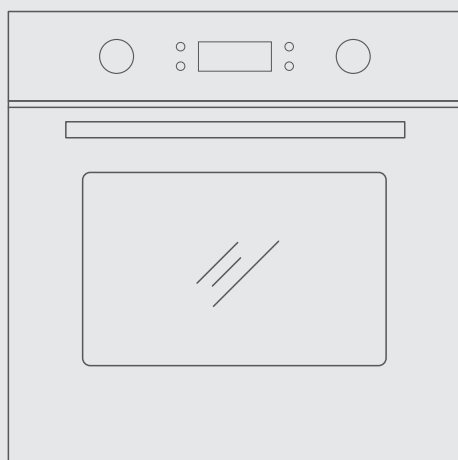
RECICLAGEM DO PRODUTO

Este símbolo no produto ou no manual de instruções indica que o seu aparelho deve ser eliminado separadamente dos resíduos domésticos no fim da respetiva vida útil. Há localmente um sistema separado de reciclagem para realizar a reciclagem deste tipo de aparelhos. Para mais informações, deve contactar a autoridade local ou a loja onde comprou o seu aparelho.



Quando tiver desembalado o forno, assegurar que este não tenha sido danificado de nenhuma forma. Se tiver alguma dúvida, não utilizar o forno: contactar um técnico profissionalmente qualificado. Manter os materiais da embalagem como sacos de plástico, poliestireno ou pregos fora do alcance de crianças, porque estes materiais são perigosos para as mesmas.

Corberó



HORNO INTEGRABLE

Manual de instrucciones

CCHMP1033N
CCHMP1033W

Antes de usar este producto, lea detenidamente este manual y guárdelo como referencia futura.

DIRECTORIO

INFORMACIÓN DE SEGURIDAD	INFORMACIÓN DE SEGURIDAD	1-4
<hr/>		
INSTALACIÓN	Diagrama del armario (en columna)	5
	Diagrama del armario (armario bajo encimera)	6
	Instrucciones importantes de instalación	7
	Pasos de instalación	8
<hr/>		
INTRODUCCIÓN AL PRODUCTO	Introducción al panel de control	9
	Introducción a los modos de cocción	10
	Primer uso	11
	Pasos de la operación	11
<hr/>		
ACCESORIOS	Accesorios incluidos	14
	Uso de los accesorios	14
<hr/>		
MANTENIMIENTO Y LIMPIEZA	Método de limpieza	15
	Sustitución de la lámpara	15
<hr/>		
GESTIÓN DE AVERÍAS	GESTIÓN DE AVERÍAS	16
<hr/>		
PARÁMETROS TÉCNICOS	PARÁMETROS TÉCNICOS	16
<hr/>		
RECICLAJE DEL PRODUCTO	RECICLAJE DEL PRODUCTO	17

INFORMACIÓN DE SEGURIDAD

¡Gracias por elegirnos! Lea todas las instrucciones antes de usar este electrodoméstico. Este manual contiene información valiosa sobre el funcionamiento, mantenimiento y cuidados. Guárdelo en un lugar seguro para futuras referencias. En caso de que el aparato se venda o se transfiera a otro propietario, o en caso de que usted se mude y deje el aparato, asegúrese siempre de que el manual permanezca con el aparato para que el nuevo propietario pueda familiarizarse con el funcionamiento del aparato y las advertencias pertinentes.

ESTAS ADVERTENCIAS SE PROPORCIONAN EN INTERÉS DE LA SEGURIDAD. POR FAVOR, LÉALAS DETENIDAMENTE ANTES DE INSTALAR O UTILIZAR EL APARATO. Para conservar la EFICIENCIA y la SEGURIDAD de este electrodoméstico, es recomendable:

- Llamar solamente a los centros de reparaciones autorizados por la tienda en la que compró el horno
 - Utilizar siempre repuestos originales
1. Cuando se enciende en horno por primera vez, puede que emita un olor desagradable. Esto se debe al agente adhesivo usado para los paneles de aislamiento del interior del horno. Ponga en funcionamiento el nuevo producto vacío con la función de cocinado convencional, a 250 °C, durante 90 minutos para limpiar las impurezas de aceite del interior de la cavidad.
 2. Cuando lo utilice por primera vez, habrá un olor penetrante o humo, lo cual es normal. Si esto ocurre, debería esperar a que el olor o el humo desaparezca antes de poner comida en el horno.
 3. Utilice el producto en un entorno donde exista circulación de aire.
 4. El aparato y sus piezas accesible se calientan durante su uso. Se debe tener cuidado para evitar tocar los elementos térmicos. Niños menores de 8 años deben permanecer lejos del horno a menos que estén continuamente bajo supervisión.
 5. Si la superficie presenta grietas, apague el aparato para evitar la posibilidad de una descarga eléctrica.

6. Este aparato pueden usarlo niños con una edad de 8 años o más y personas con capacidades físicas, sensoriales o mentales reducidas o falta de experiencia o conocimientos siempre y cuando se les haya supervisado o hayan recibido instrucciones respecto al uso del aparato de forma segura y entiendan los riesgos que implica. Los niños no deben jugar con el aparato. Los niños no deben realizar la limpieza o el mantenimiento del usuario sin supervisión.
7. Durante su uso, el aparato se calienta mucho. Se debe tener cuidado para evitar tocar elementos térmicos dentro del horno.
8. No deje que los niños se acerquen al horno mientras está funcionando, en especial cuando el grill esté encendido.
9. Asegúrese de que el aparato está apagado antes de sustituir la bombilla de horno para evitar la posibilidad de una descarga eléctrica.
10. Se debe incorporar un medio de desconexión en el cableado fijo conforme a las especificaciones de cableado.
11. Se debe supervisar a los niños para asegurarse de que no juegan con el aparato.
12. Este aparato no está diseñado para usarse por parte de personas (incluidos niños) con capacidades físicas, sensoriales o mentales reducidas o con falta de conocimientos o experiencia salvo que se les haya dado una supervisión o instrucciones adecuadas respecto al uso del aparato por parte de una persona responsable de su seguridad.
13. Las partes accesibles pueden calentarse durante su uso. Se debe mantener alejado a los niños pequeños.
14. Se debe incorporar una desconexión de todos los polos en el cableado fijo conforme a la normativa de cableado.
15. Si el cable de alimentación presenta daños, el fabricante, su agente de servicio o personas con una cualificación similar deben sustituirlo para evitar cualquier riesgo.

16. No use limpiadores abrasivos duros o ralladores metálicos afilados para limpiar el cristal de la puerta del microondas ya que pueden arañar la superficie, lo que puede provocar que se destroce el cristal.
17. Use únicamente la sonda de temperatura recomendada para este horno.
18. No debe usarse un limpiador a vapor.
19. El aparato no está diseñado para ser utilizado mediante un temporizador externo o un sistema separado de mando a distancia.
20. Las instrucciones para aquellos hornos que disponen de estanterías deben incluir detalles que indiquen la instalación correcta de las estanterías.
21. No use el horno salvo que lleve puesto algo en los pies. No toque el horno con las manos o los pies húmedos o mojados.
22. Para el horno: No debe abrirse la puerta del horno durante el periodo de cocinado.
23. Un técnico autorizado debe instalar el aparato y ponerlo en funcionamiento. El fabricante no asume ninguna responsabilidad por cualquier daños que pudiera provocarse por una colocación e instalación defectuosa realizada por personal no autorizado.
24. Cuando la puerta o el cajón del horno estén abiertos, no deje nada en ellos, puede desequilibrar el aparato y romper la puerta.
25. Algunas piezas del aparato pueden permanecer calientes durante mucho tiempo, es necesario esperar a que se enfríen antes de tocar los puntos que están expuestos al calor directamente.
26. Si no va a usar el aparato durante un periodo prolongado de tiempo, le aconsejamos que lo desenchufe.

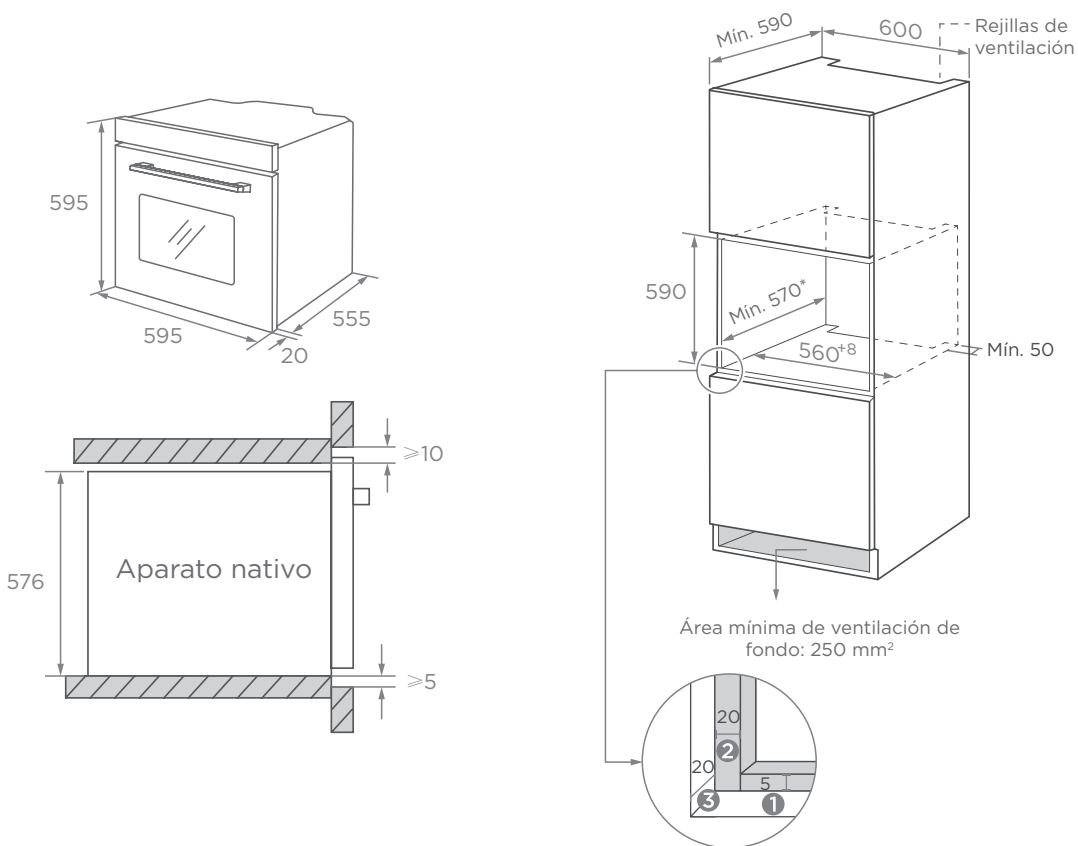
DECLARACIÓN DE CONFORMIDAD

Cuando haya desembalado el horno, asegúrese de que no presente daños de ninguna de las maneras. Si tiene cualquier duda, no lo use y póngase en contacto con una persona profesional cualificada. Mantenga los materiales del embalaje, como bolsas de plástico, poliestireno o clavos fuera del alcance de los niños ya que son peligrosos para ellos.

INSTALACIÓN

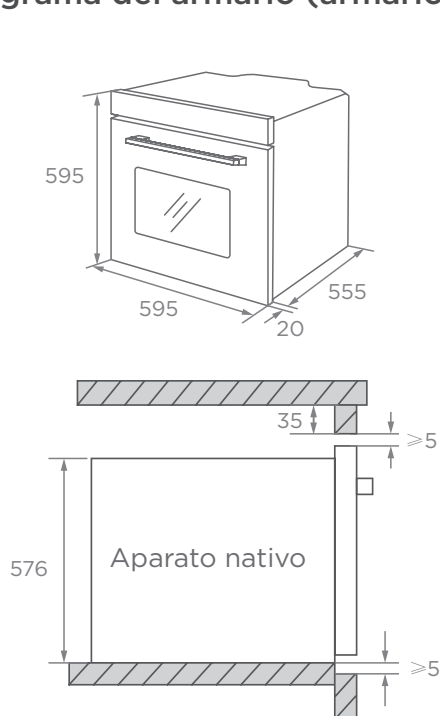
1. Como el aparato se mejora constantemente, el aparato real prevalecerá en el caso de que las imágenes no coincidan con el aparato real.
2. El tablero del armario tiene un grosor de 20 mm.
3. Si la toma de corriente se encuentra en la parte trasera del aparato, es necesario aumentar el fondo de la apertura del armario desde el mínimo de 590 mm hasta 620 mm.
4. Las dimensiones de las figuras están en mm.

Diagrama del armario (en columna)

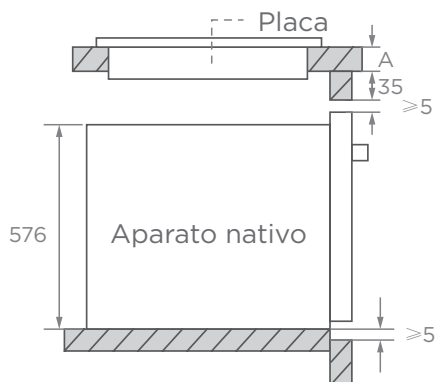


- ① Reserve 5 mm para el panel de la puerta en la parte superior e inferior respectivamente.
- ② Reserve 20 mm para el panel de la puerta a izquierda y derecha respectivamente.
- ③ Reserve 20 mm en grosor para el panel de la puerta.

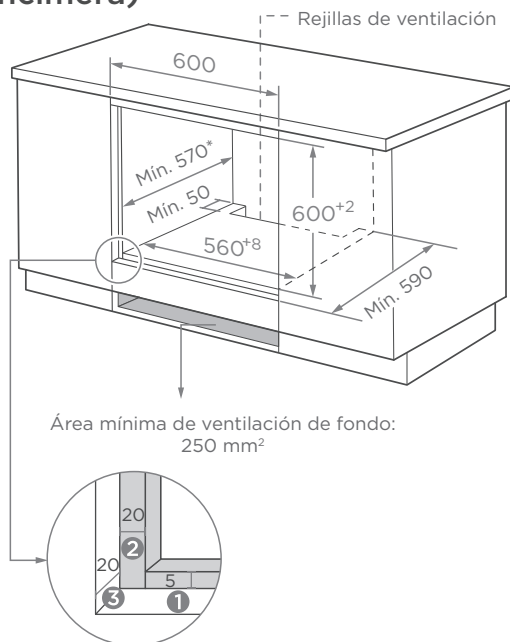
Diagrama del armario (armario bajo encimera)



Sin placa de cocina



Con placa de cocina



Área mínima de ventilación de fondo:
250 mm²

- ❶ Reserve 5 mm para el panel de la puerta en la parte superior e inferior respectivamente.
- ❷ Reserve 20 mm para el panel de la puerta a izquierda y derecha respectivamente.
- ❸ Reserve 20 mm en grosor para el panel de la puerta.

Si el aparato se instala debajo de la placa de cocina, el grosor mínimo de la encimera A, se muestra a continuación:

Tipo de placa de cocina	Encimera A
Placa de inducción	37 mm
Placa de inducción de superficie completa	47 mm
Cocina de gas	30 mm
Cocina eléctrica	27 mm

Instrucciones importantes de instalación

Contenido que indica [obligatoriedad]

1. El funcionamiento seguro de este aparato sólo puede garantizarse si se ha instalado según normativas profesionales de acuerdo con estas instrucciones de instalación. El instalador debe responsabilizarse de cualquier daño resultante de una instalación incorrecta.
2. El proceso completo de instalación requiere de dos instaladores profesionales. Durante la instalación hay que utilizar guantes de protección secos para evitar arañazos y descargas eléctricas.
3. Otras unidades instaladas deben ser resistentes al calor hasta 90°C, y los frentes de las unidades adyacentes hasta los 70 °C.
4. Utilice una toma de corriente de 16 A.

Contenido que indica [prohibición]

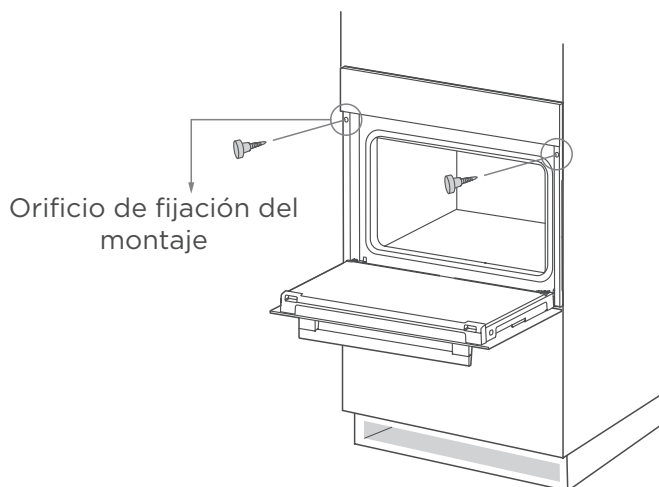
1. No instale el aparato detrás de una puerta decorativa o detrás de la puerta de la cocina, ya que la falta de circulación de aire causaría el sobrecalentamiento de la unidad.
2. Después de desembalar el aparato, compruebe que no presenta daños. No enchufe el aparato si ha sufrido algún daño durante el transporte.
3. No bloquee las rejillas de ventilación ni el espacio entre el mueble y el aparato.
4. Extreme las precauciones cuando mueva o instale el aparato. Es muy pesado, no lo levante agarrando por el asa de la puerta.
5. Si el enchufe o el cable de alimentación presentan daños, deje de usar el aparato inmediatamente para evitar un incendio, una descarga eléctrica u otro tipo de lesiones.

Contenido que indica [comentario]

1. Tenga mucho cuidado al mover o instalar el aparato para evitar daños en el armario o en el propio aparato.
2. Antes de usar el aparato, retire todos los materiales de embalaje y accesorios del interior.
3. La toma de corriente deberá ser accesible para los usuario (próxima al armario) para una desconexión rápida.
4. Después de finalizar la instalación, asegúrese de que el enchufe esté correctamente introducido en la toma de corriente.
5. Consulte el «Diagrama del armario» para conocer los requisitos sobre el fondo del armario. El espacio libre entre el tablero inferior del armario y el tablero trasero (o pared) no debe ser inferior a 50 mm.

Pasos de instalación

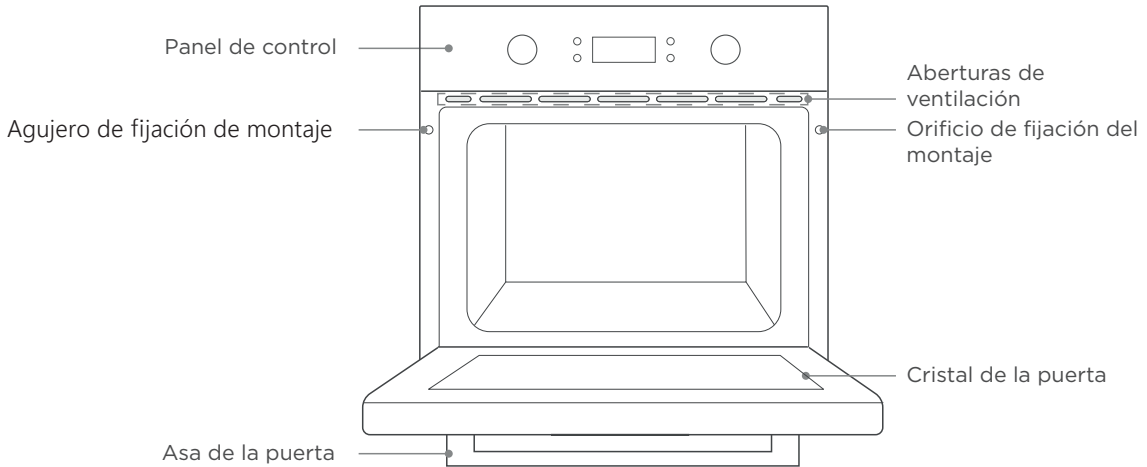
1. Personalice el armario de acuerdo con el «Diagrama del armario».
2. Antes de la instalación, compruebe que la toma de corriente es normal con su correspondiente toma de tierra, y compruebe que las dimensiones del armario cumplen los requisitos de instalación.
3. Coloque el aparato en el lugar designado de la cocina, en un armario vertical, y conecte la toma de corriente.
4. Para localizar los orificios de fijación del montaje, abra la puerta y fijese en el marco lateral del aparato (la posición se indica en la imagen anterior).
5. Fije el aparato al armario usando los dos tapones de goma A y los tornillos B suministrados con el aparato.



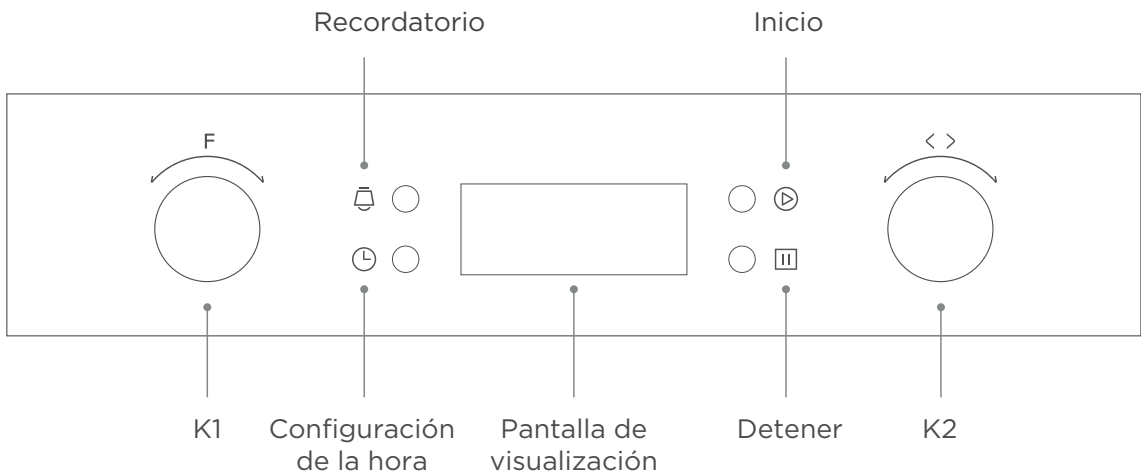
INTRODUCCIÓN AL PRODUCTO

Al sacar la comida del interior, use guantes aislantes del calor para evitar quemaduras. En el momento de abrir la puerta del horno, preste atención al vapor. Abra la puerta solo un poco para evitar que el vapor le llegue a la cara.








Como el producto se mejora constantemente, si observa diferencias entre el aparato real y las imágenes siguientes, el aparato real tiene preferencia.



Introducción al panel de control



Introducción a los modos de cocinado

Modo	Introducción a los modos de cocinado
 Lámpara	El proceso de cocción se puede observar en condiciones de iluminación. Excepto función ECO.
 Descongelar	La circulación de aire a temperatura ambiente permite una descongelación más rápida de los alimentos congelados (sin utilizar calor).
 Parrilla doble con ventilador	El elemento calefactor radiante y el elemento calefactor superior funcionan con ventilador.
 Parrilla individual	El elemento de parrilla interior se enciende y se apaga para mantener la temperatura. Se puede utilizar para asar una pequeña cantidad de alimentos.
 Por convección + ventilador	La combinación del ventilador y los elementos calefactores superior e inferior proporciona una penetración del calor y una coloración más uniformes, principalmente para cocinar carne.
 Convencional	Los elementos calefactores superior e inferior trabajan juntos para proporcionar una cocción por convección.
Pirólítico	Cuando la función se establece en modo pirólítico, la pantalla LED muestra «PyR». La temperatura predeterminada es 450 °C. El temporizador se puede configurar en 1:30 o 2:00 horas.
 ECO	Para cocinar con ahorro de energía. Cocinar los ingredientes seleccionados de manera suave. El calor viene por arriba y por abajo.

Primer uso

Antes de usar el horno por primera vez, limpie el horno y los accesorios hasta cierto punto.




1. Retire los elementos de embalaje utilizados durante el transporte del horno.
2. Saque todos los accesorios (p. ej.: bandejas de horneado, parrillas, espuma, etc.) del interior del horno.
3. Limpie a fondo los accesorios con agua jabonosa y un trapo o cepillo suave.
4. Limpie el interior del horno y las superficies exteriores con una bayeta humedecida.
5. Para evitar un incendio, asegúrese de que en el interior del horno no queden restos del material de embalaje y accesorios cuando lo utilice por primera vez.
6. La primera vez que use el horno, mantenga la cocina ventilada (abra las ventanas y encienda la campana). Durante este tiempo, mantenga a los niños y las mascotas fuera de cocina y cierre las puertas de las habitaciones adyacentes.
7. Cuando use el horno por primera vez, el revestimiento anticorrosivo del tubo calefactor del horno se evapora cuando se calienta, lo que producirá un olor penetrante o humo, que es un fenómeno normal. Utilice el modo siguiente:

Modo	Temperatura	Tiempo
 Convencional	250 °C	0,5 - 1 hora


Pasos de la operación

Configuración del reloj



Cuando el horno se conecta por primera vez al suministro eléctrico y se enciende, será necesario configurar el reloj.

1. Pulse la tecla «  », el dígito de la hora parpadea.
2. Gire la perilla «K2» para ajustar el dígito de la hora.
3. Pulse la tecla «  », el dígito de los minutos parpadea.
4. Gire la perilla «K2» para ajustar el dígito de los minutos.
5. Presione la tecla «  » para completar la configuración del reloj.



Notas:

1. El reloj es de 24 horas.
2. Antes de usar el horno, complete la configuración del reloj.
3. Durante el proceso de configuración del reloj, puede presionar la tecla «  » para cancelar la configuración actual del reloj.
4. Si necesita restablecer el reloj, siga los pasos de «Configuración del reloj» en el modo de espera.

Configuración de funciones



1. En estado de espera o recordatorio, gire la perilla «K1» para seleccionar la función.
2. Gire la perilla «K2» para ajustar la temperatura.
3. Presione la tecla «  » para comenzar a cocinar.
4. Si omite el paso 2, presione la tecla «  » para comenzar a cocinar. El tiempo predeterminado es de 9 horas y la pantalla muestra la temperatura predeterminada.

Notas

1. Durante la cocción, el tiempo se puede ajustar girando la perilla «K1». Después de ajustar la hora, presione la tecla «  » dentro de 3 segundos para confirmar.
2. Durante la cocción, la temperatura se puede ajustar girando la perilla «K2». Después de ajustar la temperatura, presione la tecla «  » dentro de 3 segundos para confirmar.






Función de lámpara

Al encender la lámpara puede observar mejor la situación de cocción de los alimentos. Si necesita apagar o encender la lámpara, puede seguir estos pasos:



1. Gire la perilla «k1» para seleccionar «  ».
2. Pulse la tecla «  » para confirmar.

Función de recordatorio




Esta función le ayudará a recordarle que debe comenzar a cocinar en un tiempo determinado. Solo se puede configurar el recordatorio cuando el horno está en modo de espera y el reloj configurado.

1. Pulse la tecla «  » y el dígito de la hora parpadeará.
2. Gire la perilla «K2» para ajustar el dígito de la hora.
3. Pulse la tecla «  » y el dígito de los minutos parpadeará.
4. Gire la perilla «K2» para ajustar el dígito de los minutos.
5. Presione la tecla «  » para completar la configuración, el icono «  » estará siempre encendido y comenzará la cuenta atrás. Una vez finalizada la cuenta atrás, suena el timbre y se apaga el icono «  ».





Notas

1. Puede cancelar el recordatorio presionando la tecla «  » durante la configuración.
2. Después de configurar el recordatorio, puede presionar la tecla «  » dos veces para cancelar el recordatorio.


Función de consulta

1. Durante el proceso de cocción, si se ha configurado el reloj, presione la tecla «  » para verificar la hora actual. Si la función de recordatorio está configurada, presione la tecla «  » para verificar la hora del recordatorio.
2. En el estado de recordatorio, si el reloj está configurado, presione la tecla «  » para verificar la hora actual.





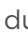
Función Iniciar/Pausar/Cancelar

1. Si se ha configurado el tiempo de cocción, presione la tecla «  » para comenzar a cocinar. Si la cocción está en pausa, presione la tecla «  » para continuar la cocción.
2. Durante el proceso de cocción, presione la tecla «  » una vez para pausar la cocción. Pulse la tecla «  » dos veces para cancelar la cocción.

Función de ahorro de energía


1. En estado de espera o recordatorio, presione la tecla «  » durante 3 segundos para apagar la pantalla LED y acceder al modo de ahorro de energía.
2. En estado de espera, si no hay operación en 10 minutos, la pantalla LED se apagará y entrará en el modo de ahorro de energía.
3. En el modo de ahorro de energía, presione cualquier tecla o gire la perilla para salir del modo de ahorro de energía.

Función de bloqueo para niños

1. Introduzca el bloqueo para niños: Presione las teclas «  » y «  » durante 3 segundos al mismo tiempo. El timbre sonará y el icono «  » se iluminará, lo que indica que se ha accedido al bloqueo para niños.
2. Liberar el bloqueo para niños: Presione las teclas «  » y «  » durante 3 segundos al mismo tiempo. El timbre emitirá un pitido, lo que indica que se ha liberado el bloqueo para niños.

Función pirolítica

Esta función le permite limpiar a fondo la cavidad del horno.

1. Gire la perilla «K1» para seleccionar la función pirolítica. El LED mostrará «PyR».
2. Pulse la tecla «  » para confirmar y el tiempo de trabajo predeterminado es de 2 horas.
3. Gire la perilla «K1» para ajustar el tiempo de trabajo. El tiempo se puede configurar 1:30 o 2:00 horas.

Notas

1. No funcionará cuando la puerta del horno no está cerrada. La pantalla LED mostrará «door», «PYR».
2. Cuando la temperatura central del horno sea superior a 320 °C, no será posible presionar el botón de inicio. El LED mostrará «COOL» y «PYR». Cuando la temperatura central del horno sea inferior a 200 °C, presione el botón cancelar una vez, se pausará; presione de nuevo, volverá al estado de espera. Si supera los 200 °C, presione el botón Cancelar una vez, volverá directamente al estado de espera.
3. Abra la puerta cuando el horno esté funcionando, el LED mostrará «door» y el timbre sonará continuamente hasta que la puerta se cierre o presione el botón de cancelar.
4. Antes de activar la función de limpieza pirolítica, elimine cualquier derrame excesivo y asegúrese de que el horno esté vacío. No deje nada dentro (p. ej., sartenes, bandejas para hornear, bandejas de goteo, soporte deslizante, etc.) ya que podría dañarlos gravemente.
5. Cuando termine la limpieza pirolítica, no interrumpa la energía en una hora.

ACCESORIOS

Como los productos y accesorios se mejoran constantemente, si observa diferencias entre el aparato real y las imágenes siguientes, el aparato real tiene preferencia.

Su aparato viene de fábrica con un juego de accesorios. Aquí puede encontrar una visión general de los accesorios incluidos y la información sobre cómo usarlos correctamente.

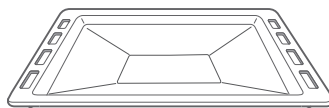
Accesorios incluidos

Si aparato está equipado con los accesorios siguientes:



Rejilla para barbacoas

Ase alimentos o coloque recipientes de cocina resistentes al calor

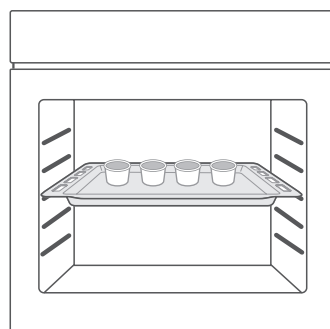
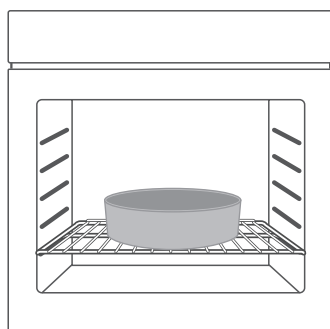
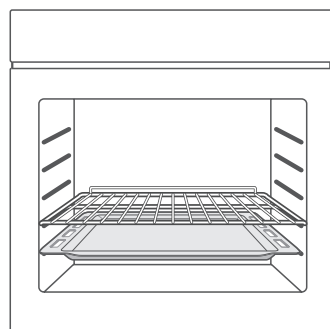
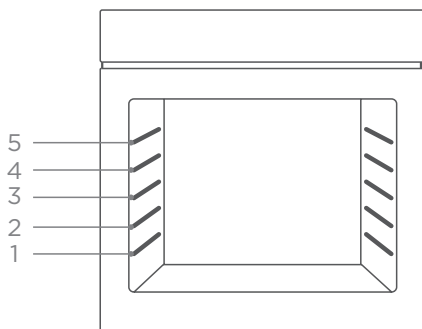


Bandeja de cocción

Cocine grandes porciones de comida o úsela para recoger los restos de comida

Uso de los accesorios

Para que el horno funcione correctamente, la rejilla y la bandeja solo se deberían colocar entre el primer y el quinto nivel. Cuando las use juntas, coloque la bandeja debajo de la rejilla.



LIMPIEZA Y MANTENIMIENTO

Desconecte la alimentación eléctrica antes de limpiar o realizar trabajos de mantenimiento en el horno.

Para garantizar una larga vida útil del aparato, debería limpiarlo a fondo con frecuencia.

Método de limpieza

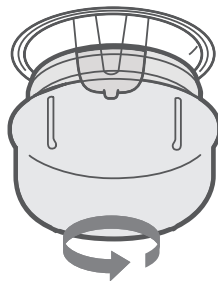
1. Después de terminar de cocinar, espere a que el horno se enfríe completamente.
2. Saque los accesorios del horno, enjuáguelos con agua caliente y séquelos.
3. Use un trapo caliente para limpiar los residuos de comida o grasa del horno.
4. Limpie la superficie del horno con una bayeta humedecida con detergente y luego, séquela.

Notas

1. No utilice herramientas de limpieza afiladas, cepillos duros y productos de limpieza corrosivos, para no dañar el horno y sus accesorios.
2. No use un agente de limpieza áspero o una espátula de metal afilada para limpiar el vidrio de la puerta.

Sustitución de la lámpara

1. Apague el horno y desconecte la alimentación. Asegúrese de que las partes internas estén frías antes de tocarlas.
2. Retire la cubierta de la lámpara girándola en sentido antihorario (nota, debe estar rígida) y cambie la bombilla por una nueva del mismo tipo.
3. Coloque la bombilla nueva, que tiene que resistir los 300 °C. Para solicitar una bombilla de reemplazo, contacte con su centro de servicio local.
4. Vuelva a colocar la cubierta.
5. Si tiene alguna duda, solicite la ayuda de un electricista cualificado.



ADVERTENCIA:



Para evitar descargas eléctricas, asegúrese de que la alimentación eléctrica del aparato está desconectada y el aparato está completamente frío antes de retirar la cubierta de la lámpara.

GESTIÓN DE AVERÍAS

Si no puede solventar el problema, o surgen nuevos problemas, contacte con el servicio de posventa.

Causa de la avería	Posibles causas	Modo de proceder
Después de cocinar, el aparato suena como si estuviera funcionando (el sonido del ventilador girando).	Retardo de apagado del ventilador, para la disipación del calor.	En condiciones normales, la comida se puede sacar del horno sin tener que hacer nada para solucionarlo; no desenchufe el ventilador mientras esté en funcionamiento.
Hay un sonido en el interior del horno cuando está en funcionamiento.	<ol style="list-style-type: none"> 1. Los materiales del interior del horno se expanden con el calor y se contraen cuando se enfrían. 2. El interior del horno no se ha limpiado en un largo periodo de tiempo, por lo que ha acumulado gran cantidad de grasa. 	<ol style="list-style-type: none"> 1. Esto ocurre en condiciones normales, no tiene por qué preocuparse. 2. Limpie el tubo calentador y el interior del horno con una toallita limpia.
La primera vez que se usa genera un olor desagradable.	El tubo calentador con revestimiento anticorrosivo genera olor al fundirse el revestimiento al calentarse.	Para el primer uso, caliente el interior del horno en un entorno bien ventilado durante media hora.
La máquina echaba humo.	<ol style="list-style-type: none"> 1. Daños por fallo del producto. 2. El interior del horno tiene aceite, residuos de comida, etc., y no se ha limpiado a tiempo. 	<ol style="list-style-type: none"> 1. Apague el aparato y contacte con el servicio de posventa. 2. Limpie el tubo calentador y el interior del horno con una toallita limpia.
La comida no se cocina.	<ol style="list-style-type: none"> 1. El tiempo de horneado es demasiado corto. 2. El tamaño de los trozos de alimentos son muy grandes. 	<ol style="list-style-type: none"> 1. Aumente el tiempo de horneado consecuentemente. 2. Parta los alimentos en trozos más pequeños o cocine en varias veces.
La luz del horno no se enciende.	La lámpara del horno está rota.	Contacte con el servicio de posventa.

PARÁMETROS TÉCNICOS

Modelo	CCHMP1033N/CCHMP1033W		
Volumen útil	70 L	Tensión nominal	220-240V-
ECElectric, interior 	0.77 kW·h/ciclo	Frecuencia nominal	50 Hz - 60 Hz
ECElectric, interior 	0.79 kW·h/ciclo	Potencia ECElectric	3,2 kW
Clase de eficiencia energética	A		

RECICLAJE DEL PRODUCTO

Este símbolo en el producto o en el manual de instrucciones indica que su aparato, al final de su vida útil, debe eliminarse por separado de la basura doméstica. En su ciudad hay un sistema de recogida selectiva de basuras para su reciclaje. Para obtener más información, póngase en contacto con las autoridades locales o con el distribuidor donde adquirió el producto.



Cuando haya desmontado el horno, asegúrese de que no presente daños de ninguna de las maneras. Si tiene cualquier duda, no lo use y póngase en contacto con una persona profesional cualificada. Mantenga los materiales del embalaje, como bolsas de plástico, poliestireno o clavos fuera del alcance de los niños ya que son peligrosos para ellos.

CERTIFICADO DE GARANTÍA

Imprescindible la presentación de la factura de compra acompañada del presente certificado de garantía.

Riesgos cubiertos.

Este aparato está garantizado contra cualquier defecto de funcionamiento, siempre que se destine a uso doméstico, procediéndose a su reparación dentro del plazo de garantía y sólo por la red de SAT autorizados.

Nuestros electrodomésticos Corberó cuentan con la garantía legal del fabricante que cubre cualquier avería o defecto durante 36 meses, desde su fecha factura de 1 de enero del 2022. En caso de que fuera necesario, nosotros nos ocupamos de cualquier posible incidencia siempre que se deba a un componente defectuoso o fallo de fabricación.

Excepciones de garantía.

- Que la fecha del certificado no coincida con la fecha de venta de la factura original.
- Averías producidas por golpe, por caída o cualquier otra causa de fuerza mayor.
- Si el aparato ha sido manipulado por personal no autorizado.
- Las averías producidas o derivadas como consecuencia de un uso inadecuado, por defectos de instalación, por introducir modificaciones en el aparato que alteren su funcionamiento.
- Puestas en marcha, mantenimiento, limpiezas, componentes sujetos a desgaste, lámparas, piezas estéticas, oxidaciones, plásticos, gomas, carcasas y cristales.
- Los hornos microondas (a excepción de los integrables) y los hornos sobremesa en el caso de cualquier incidencia de funcionamiento, deben de llevarse al servicio técnico más próximo por parte del cliente. No se recojen ni reparan en el domicilio.
- Garantía termos eléctricos. Garantía de 3 años incluyendo los costes de desplazamiento y mano de obra que correspondan de la reparación del producto, teniendo que tener un mantenimiento una vez cada 12 meses. Especialmente si Ud. ha instalado un aparato a gas, tenga presente como titular de la instalación, la obligatoriedad de realizar una revisión completa de los equipos, (según Real Decreto 238 / 2013, del 5 Abril. RITE. IT3, M. Lo termos eléctricos y calderas que incluyen depósitos acumuladores de agua caliente, para que se aplique la prestación de la Garantía, es obligatorio que el ánodo de magnesio esté operativo y que realice la función de protección adecuadamente. Para ello es recomendable que el ánodo se revise bianualmente por el Servicio Oficial y sea renovado cuando fuera necesario. Periodicidad que deberá ser anual en aquellas zonas con aguas críticas (contenido de CaCO₃ superiores a 200mg/L, es decir a partir de 20ºfH de dureza). Depósitos sin el correcto estado del ánodo de protección, no tienen la cobertura de la garantía. Independientemente del tipo de depósito o producto, todas las válvulas de sobrepresión de calefacción o a.c.s., deberán ser canalizadas para evitar daños en la vivienda por descargas de agua. La garantía del producto no asume los daños causados por la no canalización del agua derramada por esta válvula.

“ESTAS EXCEPCIONES ANULAN LA GARANTÍA, SIENDO LA REPARACIÓN CON CARGO AL CLIENTE”

Periodo amparado en aparatos según ley de garantías en la venta de bienes de consumo Ley vigente es “RD 7/2021”

Servicio Técnico Oficial: 911 08 08 08

CERTIFICATE OF GUARANTEE

The presentation of the purchase invoice accompanied by this guarantee certificate is essential.

Covered Risks.

This appliance is guaranteed against any malfunction, provided that it is intended for domestic use, proceeding to its repair within the warranty period and only by the authorized SAT network.

Our Corberó appliances have the manufacturer's legal warranty that covers any breakdown or defect for 36 months, from the invoice date of January 1, 2022. If necessary, we take care of any possible incident whenever it is due to a defective component or manufacturing fault. Warranty Exceptions

Warranty Exceptions

- That the date of the certificate does not coincide with the date of sale of the original invoice.
- Faults produced by blow, by fall or any other cause of force majeure.
- If the device has been manipulated by unauthorized personnel.
- Faults produced or derived as a consequence of improper use, installation defects, or modifications to the device that alter its operation.
- Start-up, maintenance, cleaning, components subject to wear, lamps, aesthetic parts, oxidation, plastics, rubbers, housings and crystals.
- Microwave ovens (with the exception of built-in ones) and tabletop ovens in the event of any incident of operation, they must be taken to the nearest technical service by the customer. They are not collected or repaired at home.
- Electric thermos guarantee. 3-year warranty including travel and labor costs that correspond to the repair of the product, having to have maintenance once every 12 months. Especially if you have installed a gas appliance, keep in mind as the owner of the installation, the obligation to carry out a complete review of the equipment, (according to Royal Decree 238 / 2013, of April 5. RITE. IT3, M. Lo thermos electrical and boilers that include hot water storage tanks, for the benefit of the Guarantee to apply, it is mandatory that the magnesium anode is operational and that it performs the protection function adequately. For this, it is recommended that the anode be checked biannually by the Official Service and is renewed when necessary. Periodicity that must be annual in those areas with critical waters (CaCO₃ content greater than 200mg/L, that is, from 20°fH of hardness) Deposits without the correct state of the protection anode are not covered by the warranty. Regardless of the type of tank or product, all heating or DHW overpressure valves must be channeled to avoid damage and in the house due to water discharges. The product warranty does not cover damages caused by not channeling the water spilled by this valve.

“THESE EXCEPTIONS VOID THE WARRANTY, THE REPAIR BEING CHARGED TO THE CUSTOMER”

Period covered in devices according to the law of guarantees in the sale of consumer goods Current law is “RD 7/2021”

Official Technical Service: 911 08 08 08

CERTIFICADO DE GARANTIA

A apresentação da factura de compra acompanhada deste certificado de garantia é indispensável.

Riscos cobertos.

Este aparelho está garantido contra qualquer avaria, desde que se destine ao uso doméstico, reparando-o dentro do período de garantia e apenas pela rede SAT autorizada.

Nossos eletrodomésticos Corberó têm garantia legal do fabricante que cobre qualquer avaria ou defeito por 36 meses, a partir da data da fatura de 1º de janeiro de 2022. Se necessário, cuidamos de qualquer eventual incidente desde que seja devido a um componente ou fabricação defeituoso falta.

Exceções de garantia.

- Que a data do certificado não coincida com a data de venda da fatura original.
- Avarias causadas por pancadas, quedas ou qualquer outra causa de força maior.
- Se o dispositivo foi adulterado por pessoal não autorizado.
- Avarias produzidas ou derivadas como resultado de uso indevido, defeitos de instalação, fazendo alterações no dispositivo que alteram seu funcionamento.
- Comissionamento, manutenção, limpeza, componentes sujeitos a desgaste, lâmpadas, peças estéticas, oxidação, plásticos, borrachas, invólucros e vidros.
- Fornos de microondas (exceto os embutidos) e fornos de mesa em caso de qualquer incidência de operação, devem ser levados ao serviço técnico mais próximo pelo cliente. Eles não são recolhidos ou reparados em casa.
- Garantia térmica elétrica. Garantia de 3 anos incluindo despesas de deslocação e mão-de-obra que correspondam à reparação do produto, devendo ter manutenção a cada 12 meses. Especialmente se instalou um aparelho a gás, tenha em atenção como proprietário da instalação, a obrigação de realizar uma revisão completa do equipamento, (de acordo com o Decreto-Lei n.º 84/2021. Lo termos eléctricos e caldeiras que incluem acumuladores de água quente, para o benefício da Garantia a aplicar, é obrigatório que o ânodo de magnésio esteja operacional e que desempenhe a função de protecção de forma adequada. ser verificado a cada dois anos no Serviço Oficial e renovado quando necessário Periodicidade que deve ser anual nas áreas com águas críticas (teor de CaCO3 superior a 200mg/L, ou seja, a partir de 20ºfH de dureza) Depósitos sem o estado correto do ânodo de proteção não estão cobertos pela garantia Independentemente do tipo de tanque ou produto, todas as válvulas de aquecimento ou de sobrepressão de água quente sanitária devem ser canalizadas para evitar danos e na casa devido a descargas de água. A garantia do produto não cobre danos causados pela não canalização da água derramada por esta válvula.

“ESTAS EXCEÇÕES ANULAM A GARANTIA, SENDO A REPARAÇÃO POR CONTA DO CLIENTE.” Período

abrangido em dispositivos de acordo com a lei de garantias na venda de bens de consumo A lei atual é "Decreto-Lei n.º 84/2021"

Serviço Técnico Oficial: 351 961 789 806